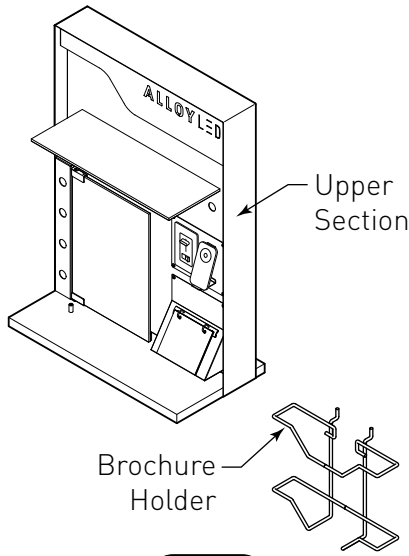
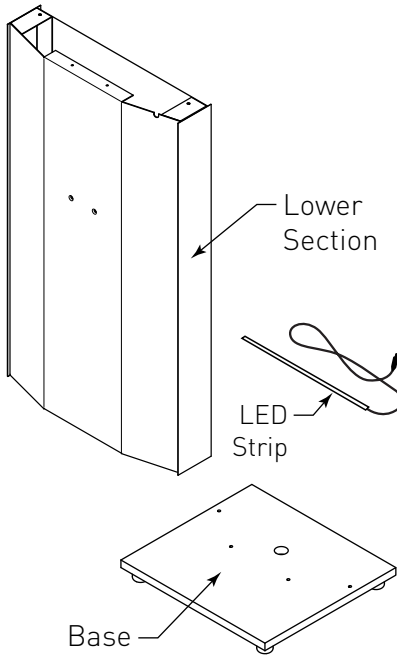


Floorstanding Display Assembly Instructions

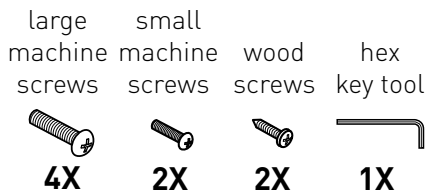
Box 1



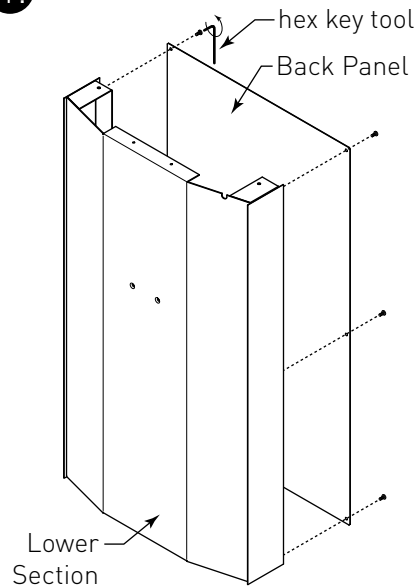
Box 2



hardware kit

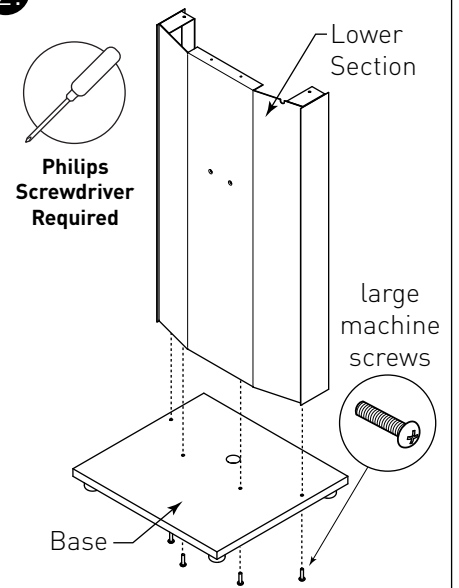


1.



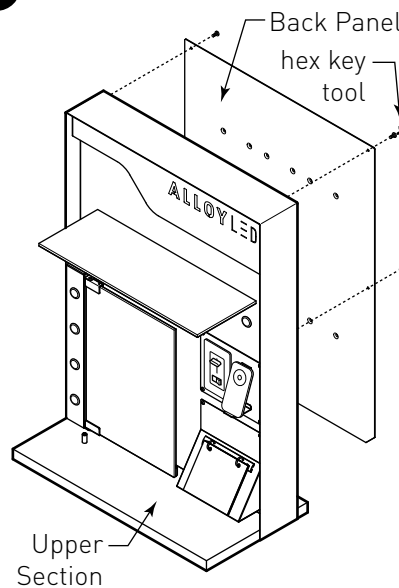
Remove the Back Panel from the Lower Section with the Hex Key (6 fasteners) and set aside

2.



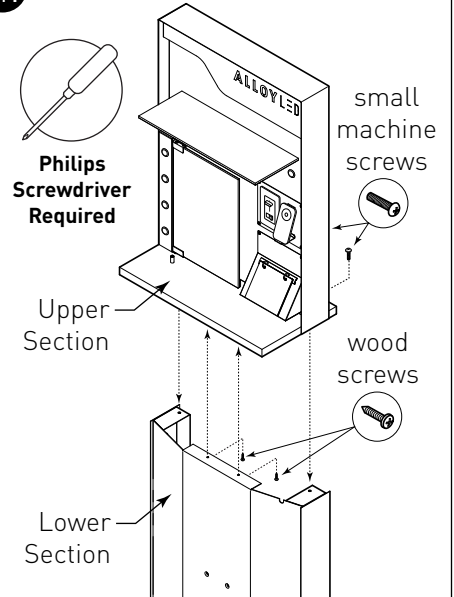
Use 4X Large Screws to secure the Lower Section to the Base (Place display carefully on its side for this step.)

3.



Remove the Back Panel from the Upper Section with the Hex Key (4 fasteners) and set aside

4.



Attach the Upper Section to the Lower Section with 2-small machine screws (top-down) and 2-wood screws (bottom-up)

