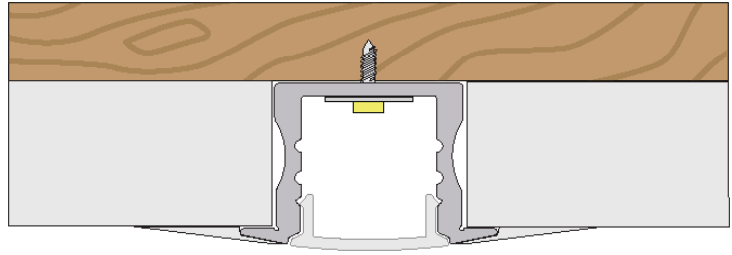


# ALLOY LED® Installation Instructions

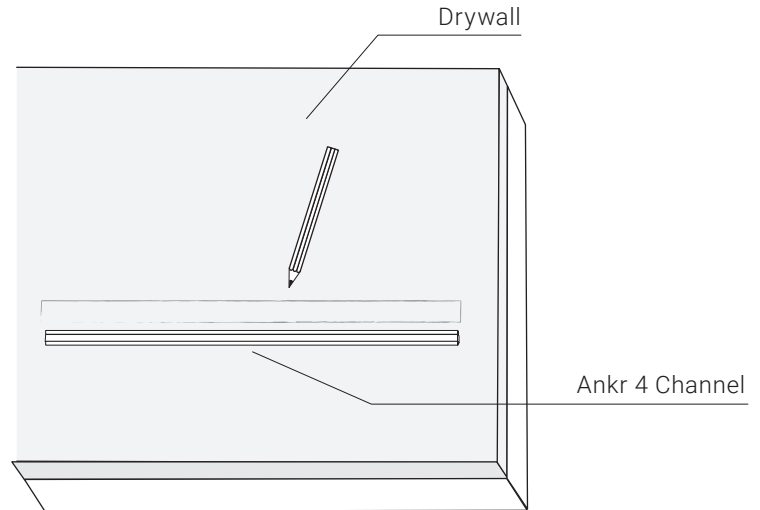
## Ankr® 4 Mud-In Aluminum Channel

### Materials Needed:

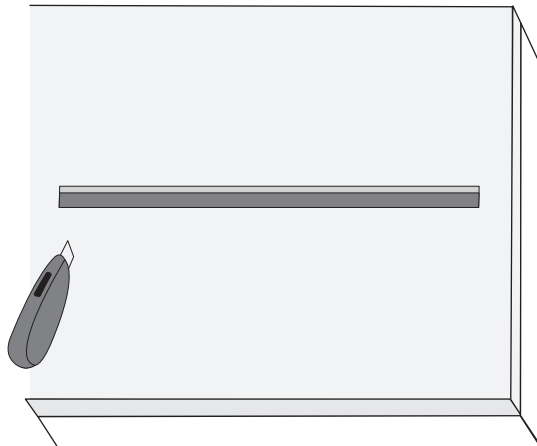
- Ankr 4 Channel & Cover
- LED Tape Light
- Wood screws
- Utility Knife
- Drywall Saw
- Joint Compound
- Spatula
- Painter's Tape
- Mesh Tape
- Hand Sander



Use a pencil to trace the channel on the desired location of the drywall.



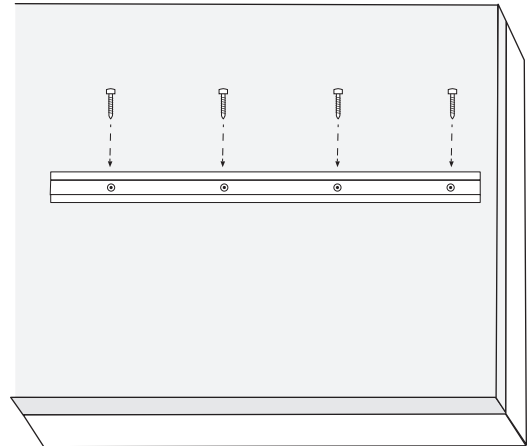
Use your utility knife and drywall saw to cut and remove the section of drywall, creating a cavity for the channel.



## Ankr® 4 Mud-In Aluminum Channel Installation Instructions

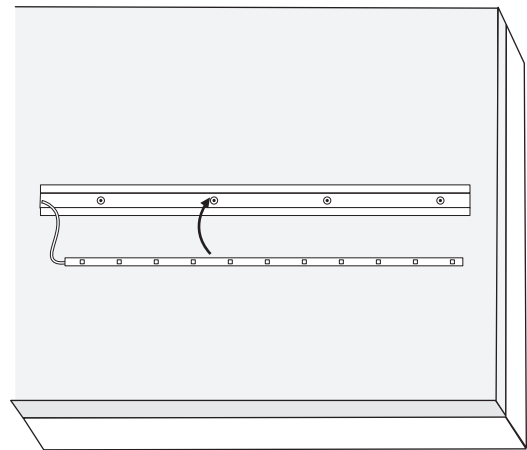
Place the channel in the cavity.

Use screws and the countersunk holes to secure the channel to the studs in the wall. (Countersunk holes have been pre-drilled every 4 inches.)



Peel the adhesive backing of the tape light and place it into the channel, starting at one end and firmly pressing it in towards the other end. The lead wire should attach to power behind the wall at one end of the channel.

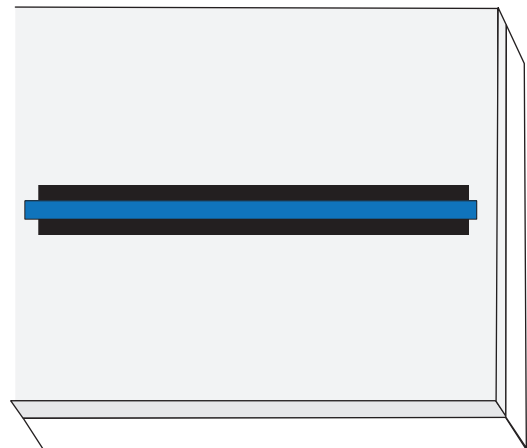
Note: If you desire a flanged look, finish the installation by attaching the cover to the channel: squeeze the sides and press the cover down into the grooves at the top of the channel, moving from one end to the other.



To create a completely seamless solution, cover the flanges with joint compound.

First, protect the tape light by completely covering it with painter's tape.

Use mesh tape to cover both flanges.



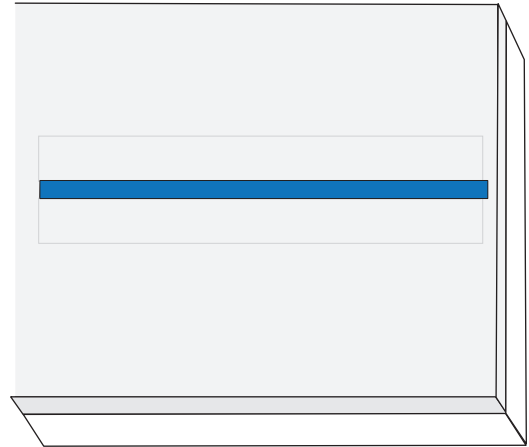
# ALLOY LED® Installation Instructions

## Ankr® 4 Mud-In Aluminum Channel

Use a spatula and apply the joint compound, covering the flanges to the end of the channel.

After the joint compound is dry, use a hand sander to smooth out inconsistencies.

Prime and paint.



Remove the painter's tape.

Finish the installation by attaching the premium diffuser cover to the channel: squeeze the sides and press the cover down into the grooves at the top of the channel, moving from one end to the other.

