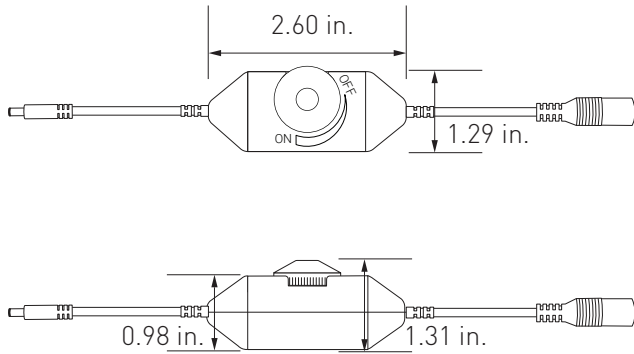


Inline Rotary Dimmer



The Inline Rotary Dimmer provides simple dimming and on/off control for LED lights. Featuring male and female DC plugs, this LED dimmer plugs directly into Alloy LED's non-dimmable plug-in adapters and DC accessories. This easy-to-use accessory is compact and great for temporary and low-impact installations.

TECHNICAL INFORMATION

Voltage	12-24V DC
Max. Current	6A (72W at 12V / 144W at 24V)
Plug Type	1 DC Male, 1 DC Female
Cable Dimensions	8.5 in (Male) / 8.8 in. (Female)
Housing Dimensions	2.6 x 1.29 x 1.31 in.

PRODUCT INFORMATION

Item #	Description	Color
AL-97-99-9917	Inline Rotary Dimmer	White