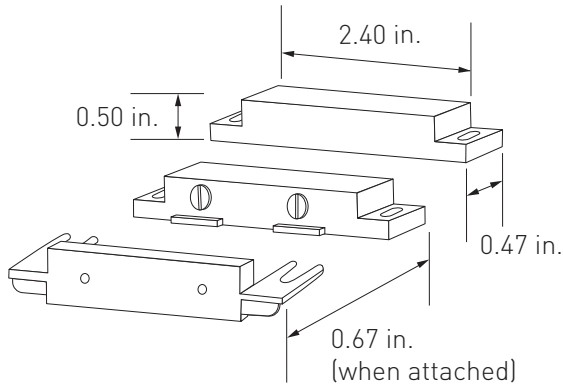


# Magnetic Drawer & Door Switch



Simply mount this magnetic switch in a drawer or cabinet door so that the two parts are in contact with each other when the drawer or door is closed. When opened, the lighting will go on.

Slotted mounting holes make it easy to mount and to adjust the distance between the magnet and sensor for a perfect fit. (Mounting screws not included.)

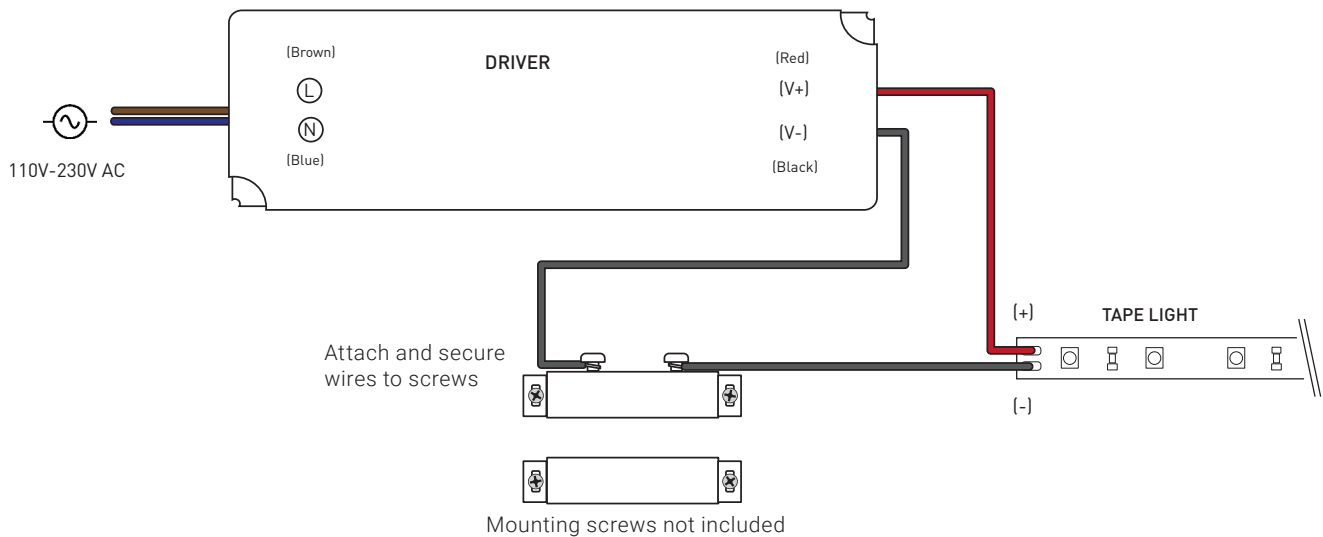
## TECHNICAL INFORMATION

<b>Voltage</b>	Max. 100V DC
<b>Max. Load</b>	100mA
<b>Operating Temp.</b>	-15° ~ 160°F
<b>Location</b>	Dry
<b>Warranty</b>	10 year limited
<b>Max. Operational Gap</b>	0.75 in.

## PRODUCT INFORMATION

Item #	Dimensions (Total)
AL-97-99-9920	2.5 x 1.13 x 0.5 in.

## WIRING DIAGRAM



## RECOMMENDED TAPE LIGHTS

### Low Output PrimaLine 1.5 LED Tape Light



16.4 ft. spool Item #	50 ft. spool Item #	100 ft. spool Item #	Voltage	Kelvin temp. (CCT) *	CRI	Lumens / foot
AL-01-01-1201	AL-01-01-1221	AL-01-01-1241	12V DC	● 2700K	98	104
AL-01-01-1202	AL-01-01-1222	AL-01-01-1242	12V DC	● 3000K	98	109
AL-01-01-1203	AL-01-01-1223	AL-01-01-1243	12V DC	○ 4200K	97	119
AL-01-01-1204	AL-01-01-1224	AL-01-01-1244	12V DC	● 5000K	96	121

20 ft. spool Item #	50 ft. spool Item #	100 ft. spool Item #	Voltage	Kelvin temp. (CCT) *	CRI	Lumens / foot
AL-01-01-2400	AL-01-01-2420	AL-01-01-2440	24V DC	● 2200K	95	87
AL-01-01-2401	AL-01-01-2421	AL-01-01-2441	24V DC	● 2700K	98	104
AL-01-01-2402	AL-01-01-2422	AL-01-01-2442	24V DC	● 3000K	98	109
AL-01-01-2403	AL-01-01-2423	AL-01-01-2443	24V DC	○ 4200K	97	119
AL-01-01-2404	AL-01-01-2424	AL-01-01-2444	24V DC	● 5000K	96	121
AL-01-01-2405	AL-01-01-2425	AL-01-01-2445	24V DC	● 2400K	96	92

### Medium Output PrimaLine 2.7 LP LED Tape Light



13 ft. spool Item #	26 ft. spool Item #	Voltage	Kelvin temp. (CCT) *	CRI	Lumens / foot
AL-01-08-2400	AL-01-08-2420	24V DC	● 2200K	97	160
AL-01-08-2405	AL-01-08-2425	24V DC	● 2400K	97	170
AL-01-08-2401	AL-01-08-2421	24V DC	● 2700K	97	188
AL-01-08-2402	AL-01-08-2422	24V DC	● 3000K	97	202
AL-01-08-2403	AL-01-08-2423	24V DC	○ 4200K	97	224

# ALLOY LED® Specifications

## RECOMMENDED POWER SUPPLIES

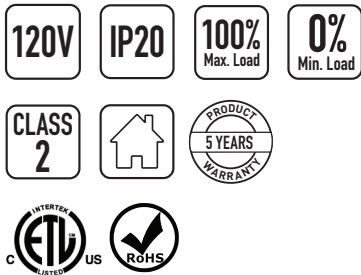
Alloy LED Primavolt® No Minimum Load Dimmable Power Supplies w/ETL Listed Junction Box  
Code-compliant power supply with versatile and smooth dimming capabilities. Compatible with ELV, MLV, and TRIAC dimmers.



Dry Location Model  
White model for 60W and lower



Wet Location Model  
Black model for 80W and higher



Item #	Output Voltage	Wattage	Wet Location	Min. Load	Dimensions (junction box) (L x W x H)	Class 2
AL-98-03-12024-NM	12V DC	24W	N	0%	13.75 x 3.0 x 1.50 in.	Y
AL-98-03-12048-NM	12V DC	48W	N	0%	13.75 x 3.0 x 1.50 in.	Y
AL-98-03-12060-NM	12V DC	60W	N	0%	13.75 x 3.0 x 2.25 in.	Y
AL-98-03-12080-NM	12V DC	80W	Y (IP67)	0%	15.0 x 3.0 x 2.25 in.	N
AL-98-03-12120-NM	12V DC	120W	Y (IP67)	0%	15.0 x 3.0 x 2.25 in.	N
AL-98-03-24024-NM	24V DC	24W	N	0%	13.75 x 3.0 x 1.50 in.	Y
AL-98-03-24048-NM	24V DC	48W	N	0%	13.75 x 3.0 x 1.50 in.	Y
AL-98-03-24060-NM	24V DC	60W	N	0%	13.75 x 3.0 x 2.25 in.	Y
AL-98-03-24080-NM	24V DC	80W	Y (IP67)	0%	15.0 x 3.0 x 2.25 in.	Y
AL-98-03-24096-NM	24V DC	96W	Y (IP67)	0%	15.0 x 3.0 x 2.25 in.	Y
AL-98-03-24150-NM	24V DC	150W	Y (IP67)	0%	16.25 x 3.50 x 2.25 in.	N
AL-98-03-24200-NM	24V DC	200W	Y (IP67)	0%	16.25 x 3.50 x 2.25 in.	N

Note: Alloy LED strongly recommends using Listed Class 2 power supplies for all installations. Always install in accordance with local and national electrical code regulations. Inspectors prefer power supply to be used with junction box. For dimmer compatibility, refer to drivers specification sheet.