

Non-Dimmable Driver

Safety & Tips

- This driver is compatible with on/off switches and RGB/RGB-W color controllers.
- Before commencing any installation or maintenance work, disconnect the driver from AC power entirely.
- Keep proper ventilation around the driver and do not stack any objects on it. Maintain 4-6 inches clearance when the driver is adjacent to a heat source.
- Installing this driver in a high ambient temperature environment may increase the internal component temperature and will require a derating in output current.
- The current rating of an approved primary /secondary cable should be greater than or equal to that of the unit. Please refer to the driver's specification sheet.
- When using this driver to power LED lighting with wet location connectors, verify that the connection between the driver and the lighting fixture is watertight.
- Suitable for indoor use or outdoor use without direct sunlight exposure. This driver is non-submersible.

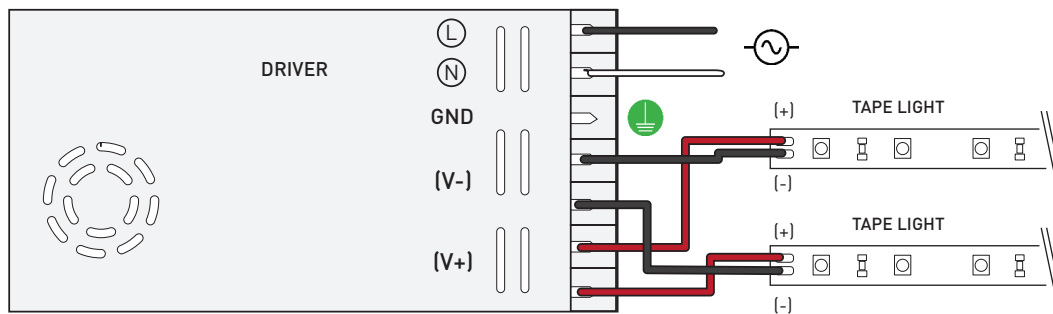
Quick Specs

Input: 90~264V AC
 Max. load: 100%
 Min. load: none

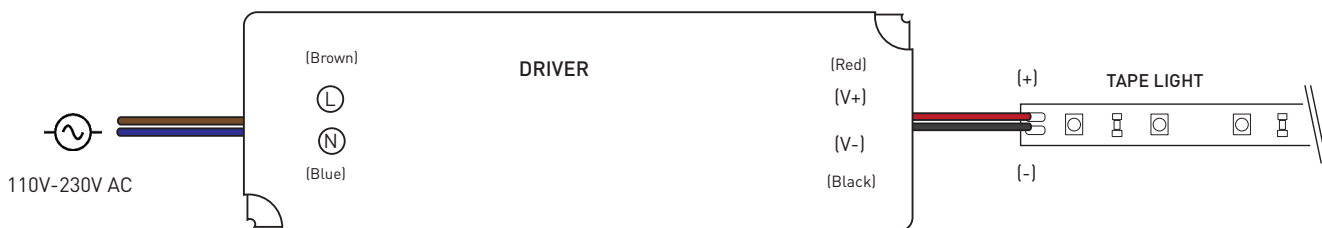


Wiring Diagram (Single Color PrimaLine® LED Tape)

Dry Location



Wet Location



ALLOY LED® Installation Instructions

Non-Dimmable Driver

Wiring Diagram (Radialux® 24V RGB / RGB-W LED Tape)

