

# Rechargeable Battery Pack

AL-97-02-12380

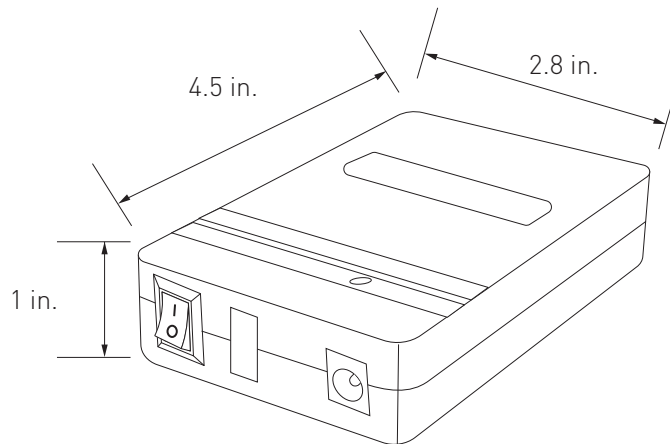


The Portable Battery Pack is a rechargeable power supply compatible with any of Alloy LED's 12V DC fixtures or 12V tape lights. This long-lasting lithium-ion battery includes an adapter for fast recharging and a DC plug cable that connects directly to fixtures with a DC plug and to the Tape Light DC Plug Connector compatible with PrimaLine® Tape Lights.

## QUICK SPECIFICATIONS

<b>Input</b>		12V DC
<b>Environment</b>	 	Dry environment (IP5) Protected against limited amounts of dust
<b>Warranty</b>		1 year limited

## DIMENSIONS



## TECHNICAL INFORMATION

---

<b>Input Voltage</b>	12V DC
<b>Dimensions</b>	4.5 x 2.8 x 1 in.
<b>Capacity</b>	3800mAh
<b>Max. Load</b>	4A (48W at 12V)
<b>Charge Time</b>	6 hours
<b>Included Accessories</b>	DC Adapter, DC cable

## CHARGING

---

1. Connect the included DC adapter to an AC wall outlet; a green light will appear on the adapter.
2. Connect the battery pack to the DC adapter.
3. Turn on the battery pack; a red light will appear.
4. The green light on the adapter should turn red if the pack is dead and will turn green when the pack is charged. (May take up to 6 hours to reach 100% charge)
5. Disconnect the battery pack from the DC adapter.

## CALCULATING BATTERY LIFE

---

To calculate the battery life (in hours) for a fixture, simply divide the 3800mAh (milliAmp hours) battery capacity by the mA (milliAmps) figure listed in the "power consumption" specification of the fixture.

For example, 1 foot of PrimaLine 1.5 12V LED Tape Light uses 120mA of power. Divide the battery capacity of 3800mAh by 120mA, and the result is 31.6. So one foot of this tape light can be powered for 31.6 hours.

## WARNING

---

- Use only as instructed.
- Only connect to devices compatible with DC power.
- Do not expose to high temperatures.