

# PowerFactor™ Non-Dimmable Driver w/ UL Listed Junction Box










AL-98-12-24030



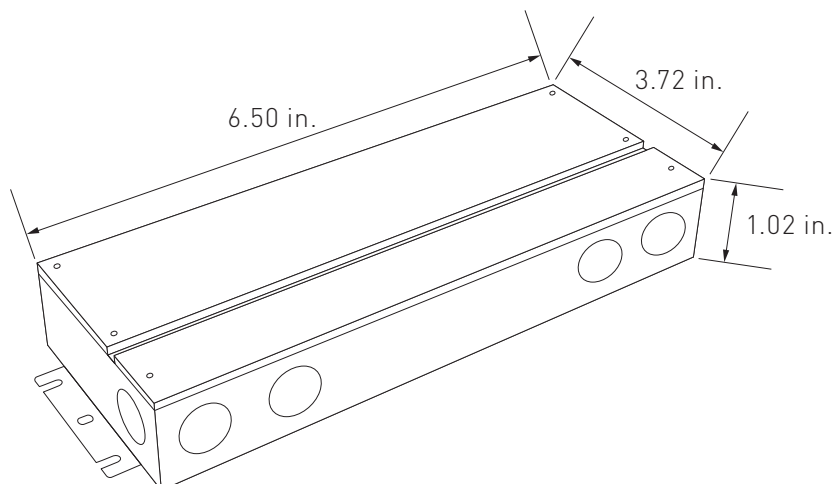
PowerFactor™ Non-Dimmable Drivers with integrated UL Listed junction box supply reliable, efficient low voltage power to white tape light on an on/off switch, or RGB and RGB-W color controllers (which have on-board dimming functionality). Although non-dimmable drivers are compatible with AC on/off switches, they are not dimmable with AC dimmer switches.

- High power factor for high efficiency
- Flat and compact housing is easy to conceal
- >90% power factor
- Dry or wet environment
- 5 year warranty

## QUICK SPECIFICATIONS

Input		120~277V AC
Features	 	>90% Power Factor Class 2
Environment	  	Dry/wet environment (IP66) Dust tight and protected against high seas and jets of water
Certifications	 	ETL Listed junction box RoHS
Warranty		5 year limited

## DIMENSIONS

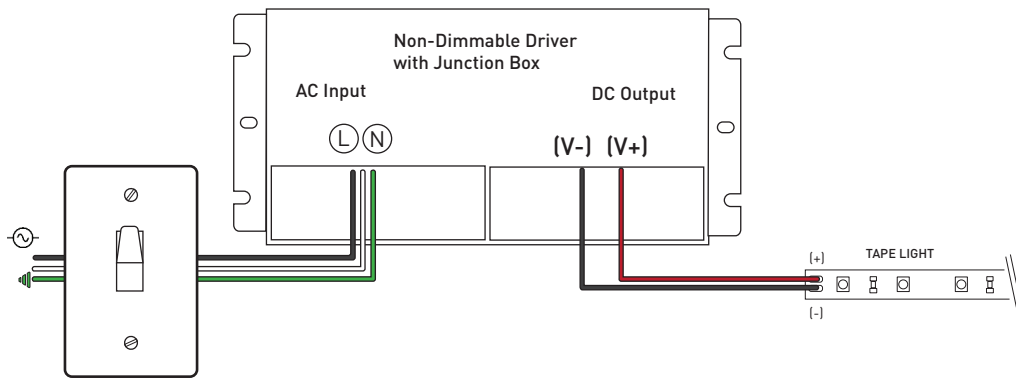


## TECHNICAL INFORMATION

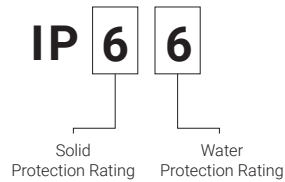
Item #	AL-98-12-24030	
<b>Output</b>	DC Voltage <sup>1</sup>	24V DC
	Rated Current	1.25A
	Rated Power	30W
	Voltage Tolerance	±0.5V
	Voltage Regulation	±0.5%
	Load Regulation	±1%
<b>Input</b>	Voltage Range <sup>2</sup>	100 - 277V AC
	Frequency Range	47~63HZ
	PowerFactor @ Full Load	0.99 @ 120V ; 0.98 @ 230V ; 0.96 @ 277V
	THD (Typ.) @ Full Load	<15% @120V ; <20%@230V ; <20% @277V
	Efficiency (Avg.)	82% @ 120V ; 82% @ 230V ; 81% @ 277V
	AC Current (Max.)	0.5A (100VAC)
	Inrush Current (Typ.)	7A,50% ,420us @120V ; 30A,50% 90us @230V ;12A 50% 480us @ 277V
	Leakage Current	<0.50mA
<b>Protection</b>	Short Circuit	Shut down o/p voltage, re-power on to recover after fault condition removed
	Overload	≤120% shut down o/p voltage, re-power on to recover
	Over Temperature	100°C±10°C (212°±50°F) shut down o/p voltage, automatically recover after cooling
<b>Environment</b>	Working Temp.	-40~+60°C
	Working Humidity	20~90% RH, non-condensing
	Storage Temp., Humidity	-40~+80°C, -40~176°F / 10~95%RH
	Temp Coefficient	±0.03%/°C (0~50°C, 32~122°F)
	Vibration	10~500Hz, 5G 10min./1 cycle, period for 60min. each along X, Y, Z axes
<b>Safety &amp; EMC</b>	Safety Standards	UL8750+UL1310
	Withstand Voltage	I/P-O/P: 1.88KV AC
	Isolation Resistance	I/P-O/P:>100MΩ/500V DC/25°C, 77°F/70% RH
	EMC Emission	Compliance to FCC Part 15 B
<b>Other</b>	Warranty	5 year limited
	Dimensions (L x W x H)	6.5 x 3.72 x 1.02 inches

1. All parameters NOT specially mentioned are measured at 120V AC input, rated load and 25°C, 77°F of ambient temperature
2. Derating may be needed under low input voltage. Please check the static characteristics for more details
3. The unit might not be suitable for lighting applications in EU countries. Avoid immersion in water over 30 minutes

WIRING DIAGRAMS



IP (INGRESS PROTECTION) RATING GUIDE



Solid Ingress Rating	Water Ingress Rating
<b>0</b> Not protected against solid objects	<b>0</b> Not protected against water
<b>1</b> Protected against solid objects greater than 50mm	<b>1</b> Protected against vertically falling water droplets
<b>2</b> Protected against solid objects greater than 12.5mm	<b>2</b> Protected against vertically falling water droplets with enclosure tilted up to 15°
<b>3</b> Protected against solid objects greater than 2.5mm	<b>3</b> Protected against sprays of water up to 60°
<b>4</b> Protected against solid objects greater than 1mm	<b>4</b> Protected against water splashes from all directions
<b>5</b> Protected against limited amounts dust	<b>5</b> Protected against jets of water
<b>6</b> Dust tight	<b>6</b> Protected against heavy seas and jets of water
	<b>7</b> Protected against immersion in 1m of water for up to 30 min.

## TROUBLESHOOTING

---

Q: Why are the lights connected to the driver blinking roughly once a second?

A: The driver may be overloaded. Check to make sure the maximum wattage is not being exceeded. There could also be a possibility of incompatible voltage. Confirm that the driver and tape light voltage match.

Q: How do I determine the compatibility?

A: Check the voltage, wattage, load capacity of both the tape light and driver.

Q: Is it possible to have multiple runs of tape light that are daisy-chained together connect to a driver with 1 lead wire?

A: Yes, but only if the total length of consecutive runs do not exceed the tape light's maximum run and also does not exceed the driver's maximum wattage.