

PrimaLine® Neon 24V LED Tape Light

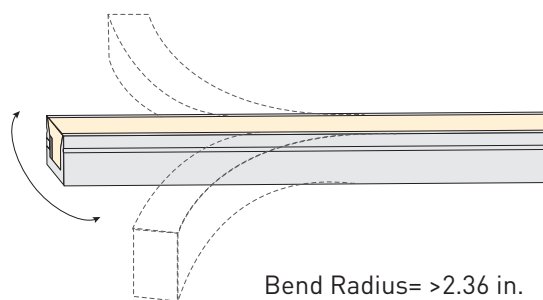
SAFETY & TIPS

WARNING

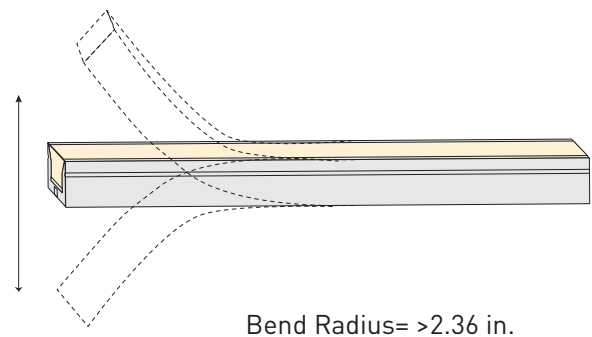
DO NOT CONNECT 24V DC TAPE LIGHTS DIRECTLY TO 120V AC POWER.

- Tape light should ONLY be powered by a UL Listed Class 2 DC 24V power supply.
- ALWAYS install in accordance with local and national electrical codes.
- This product should be installed and serviced by a qualified, licensed electrician.
- Do not install the product in a location where the ambient temperature is outside the listed ambient temperature range of the product. Failure to do so could result in damage to the tape light and may alter the tape light's operational characteristics.
- Do not exceed the listed maximum run of the product, which is shown on the product packaging. Each maximum run requires a dedicated power feed from the driver.
- Do not overload the 24V DC power supply. Overloading the power supply may cause shorting, overheating, and possibly fire.
- Do not stare directly into LED lights when illuminated.
- Always disconnect the power supply before cutting or connecting tape light.
- Apply power to test the tape light and connections before mounting.
- Cut the tape ONLY at the designated cut points, indicated by a black mark.
- The product should be powered by an isolated 24V DC constant voltage power supply with <5% ripple wave.
- Before permanently connecting tape light sections in a series, the polarity should be tested.
- Be sure to connect the positive and negative wires from the power supply to the matching poles on the tape light to avoid damage.
- Only 80% of the power supply's rated power should be used, in order to guarantee that sufficient voltage is available to drive the tape.
- To ensure the longevity and reliability of the tape light, do not bend the tape in an arc with a diameter less than 2.36 inches (see below).

PrimaLine Neon 100 SB (Side-Bend)



PrimaLine Neon 200 TB (Top-Bend)

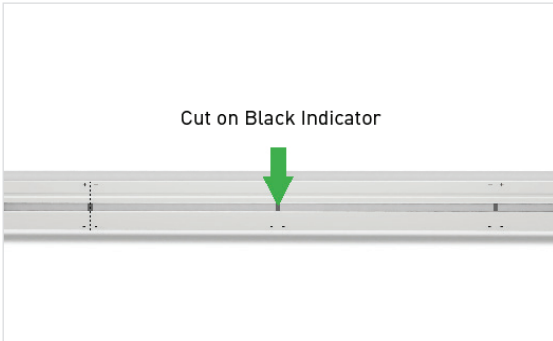


ALLOY LED® Installation Instructions

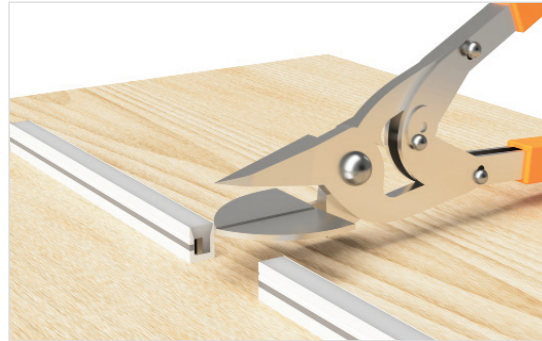
NOTE: The images on pages 2-5 show PrimaLine Neon 100 SB. For PrimaLine Neon 200 TB, follow the same instructions, but note that the tape light PCB inside of the silicone is rotated 90°, with the diodes pointed toward the diffuser.

CUTTING TAPE LIGHT

1. Cut the tape light to the desired length using the black indicator that can be seen on the side of the tape light through the silicone casing. We recommend using a Multi-Angle Miter Hand Shear for a clean and precise cut.

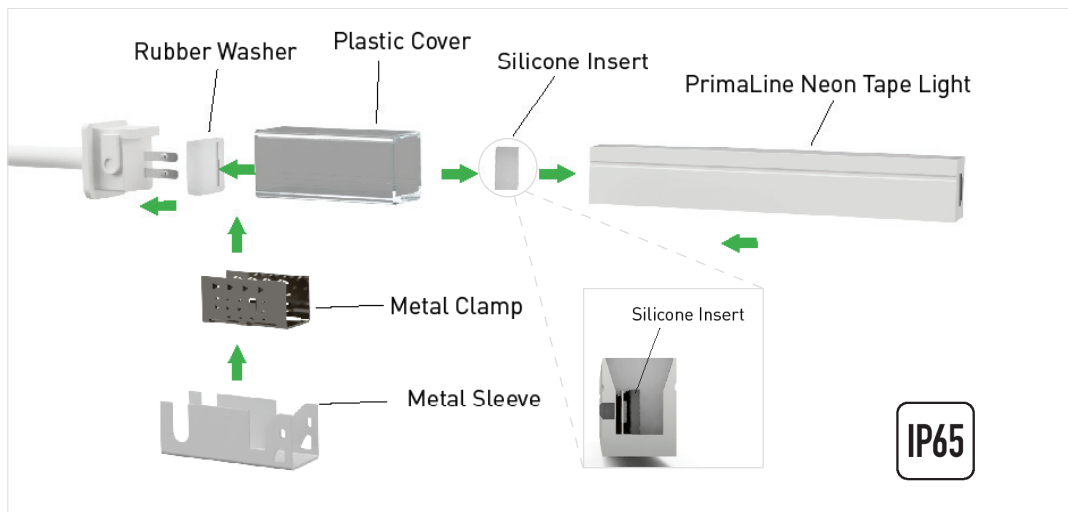


NOTE: Dark indicator can be seen through the silicone casing.



NOTE: Avoid twisting or any harsh movement that may damage the internal components.

USING DIY CONNECTORS AND END CAPS

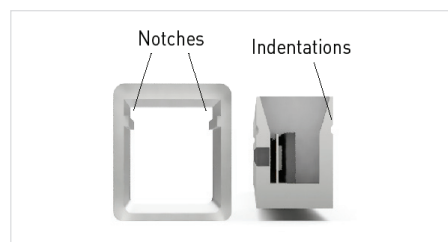


1. Connect the tape light to power using the DIY connectors. To assemble the DIY connector:

a) Slide the rubber washer onto the prongs of the connector. Make sure to align the rubber washer so it sits against the plastic protrusion on the connector, without a gap.

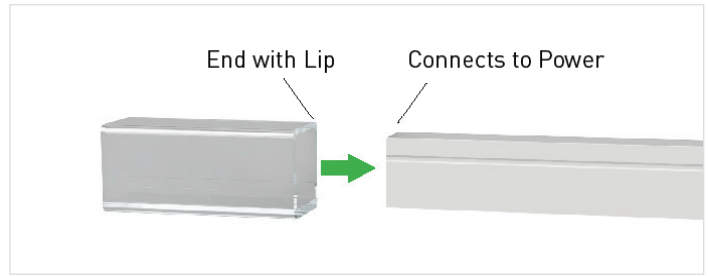


b) Thread the plastic cover onto the PrimaLine Neon Tape Light where the tape light will connect to power. Make sure that the grooves on the inside the plastic cover are aligned with the indentations on the sides of the tape light. (Continued on next page)



ALLOY LED® Installation Instructions

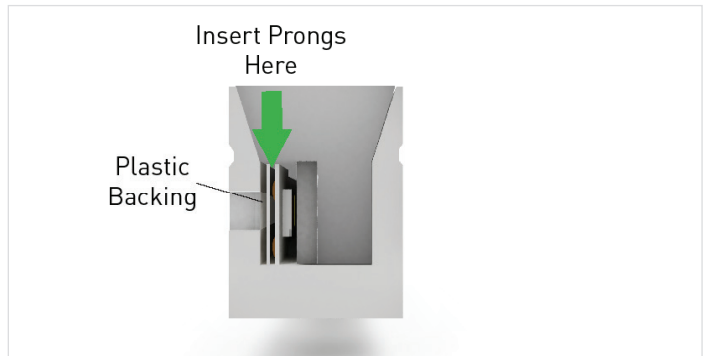
Also be sure that the end with the lip is on the correct side. Refer to the image to the right.



c) Place the Silicone Insert into the gap between the lens and the diodes. This will ensure a snug connection.

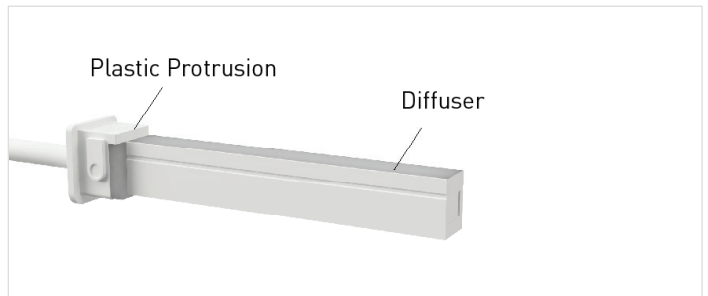


d) Slide the prongs between the PrimaLine Neon Tape Light and plastic backing. Be sure the prongs are in contact with the metal connection pads on the back of the PCB of the tape light (the side without diodes).

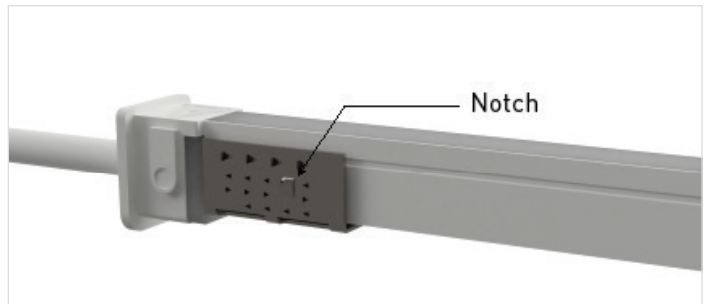


To maintain the correct polarity, be sure that the plastic protrusion on the connector is on the same side as the tape light diffuser.

Note: If polarity is incorrect, the PrimaLine Neon Tape Light will not illuminate when connected to power. To correct this, reverse polarity at the power supply.

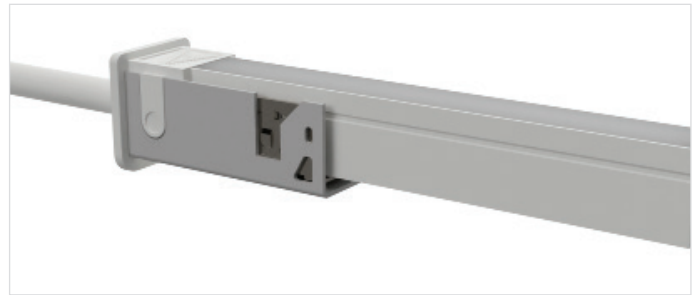
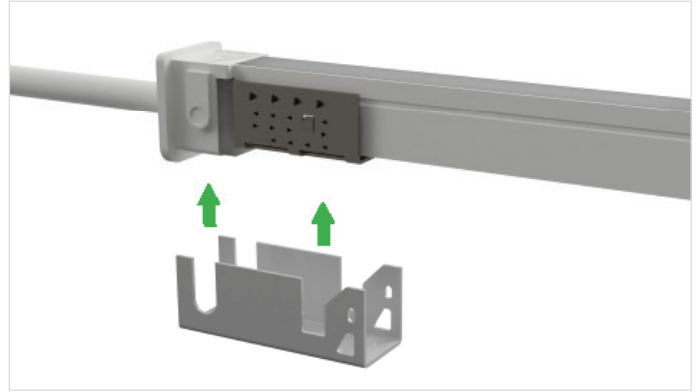


e) Secure the metal clamp over the tape light and squeeze prongs to ensure a tight connection (adjacent to the rubber washer). Orient the metal clamp so that the notch on the outside is furthest away from the prongs.

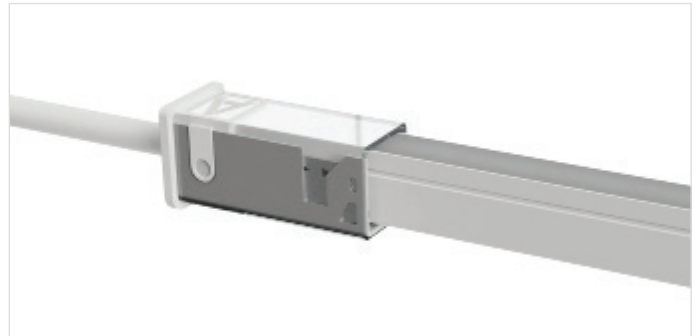


ALLOY LED® Installation Instructions

- f) Slide the white metal sleeve over the metal clamp to lock the connection into place. The notches on the connector and metal clamp should fit into the grooves of the white metal sleeve.



- g) Slide the clear plastic cover over the white metal sleeve and tape light to seal the connection.



2. Attach the DIY end cap to the opposite end of the tape light.

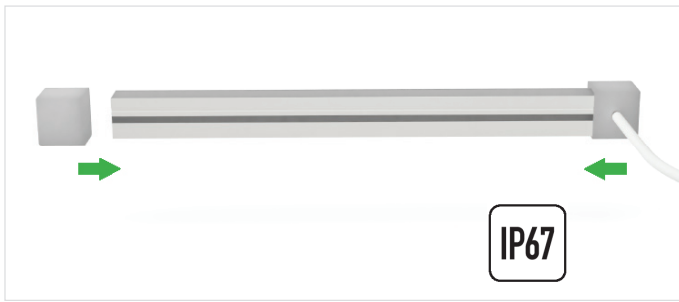
Thread the clear cover onto the the end of the tape light with the lip-end first.

Place the end cap in the same orientation as the connector, and secure it to the tape light using the metal clamp and sleeve in the same fashion.



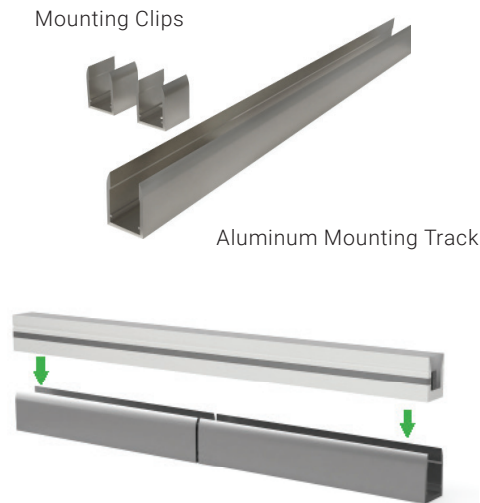
ALLOY LED® Installation Instructions

USING SOLDERED LEADS AND SILICONE CAPS (Sold Separately)



- Lead wires can be soldered to the connection points on the tape light. Please note that the connection points are on the back of the tape light (side without diodes). Be sure to maintain the correct polarity.
- Thread the lead wires through the open silicone cap. Inject the silicone cap with silicone adhesive and secure it over the soldered wires.
- Apply silicone adhesive to the closed silicone cap and secure it to the opposite end of the tape light.

USING ALUMINUM MOUNTING TRACKS AND MOUNTING CLIPS



- Mount the aluminum mounting track or mounting clip to the surface using the 1/4" countersunk screws. Be sure that they are installed straight.
- When installing the LED tape light into the mounting track or mounting clip, install both ends of the tape light simultaneously. If the tape light is longer than 6 ft., it is recommended that it is installed by 2 people.
- Press the tape light firmly into the mounting track or mounting clip. Ensure that the notches of the track are secured in the grooves in the side of the tape.

NOTE: When using mounting clips, 1 mounting clip is recommended for every 1 ft. of tape light.

Disassembly: Use a tool to gently pry the tape light from the mounting track or clips. Avoid yanking directly on the tape to prevent damage to the product.

TROUBLESHOOTING

Tape light does not light up:

- Make sure the DC power supply is turned on and receiving power.
- Confirm you have maintained correct polarity (+ to + and - to -) when joining tape lights as well as when connecting to the 24V DC power supply. If polarity is incorrect, reverse polarity at the power supply to correct the problem.
- Check all light connections and any switch or dimmer connections from the power supply to the tape lights.
- Consider testing with a multimeter to ensure tape light is receiving 24V DC power.

Only part of the tape light is lit:

- Check connections to the part of the tape light that is not lit.
- Confirm you have maintained correct polarity (+ to + and - to -) when joining tape lights as well as when connecting to the 24V DC power supply.

Tape lights blink on, then go off:

- Your power supply is not adequate for the length of tape lights you are powering. Install a higher wattage power supply or reduce watts used by shortening the lengths of your tape lights.

LEDs farthest from the power supply are noticeably dimmer:

- This is the result of voltage drop. Decrease the length of the 24V DC power feed wires or use thicker power feed wires between the 24V DC power supply and the lighting tapes.
- Use shorter lengths of tape lights.