

# ALLOY LED® Specifications

## Receiver for Wireless Remote Controllers

AL-60-03-0004-V2



This wireless receiver is compatible with several color controllers and dimmers (all sold separately) to provide full color control and dimming of LED lights. Additional wireless receivers can be used with the same controller to create independent zones that are limited only by the controller. It features easy-to-use push-in connectors and hard-wired master/slave functionality for perfect synchronization.

- Input Voltage: 12-36V DC
- Output Wattage (RGB): max. 360W total
- Output Wattage (RGB-W): max. 480W total
- Max. Current: 5A per channel
- Constant Voltage
- Max. receivers per remote control: 20



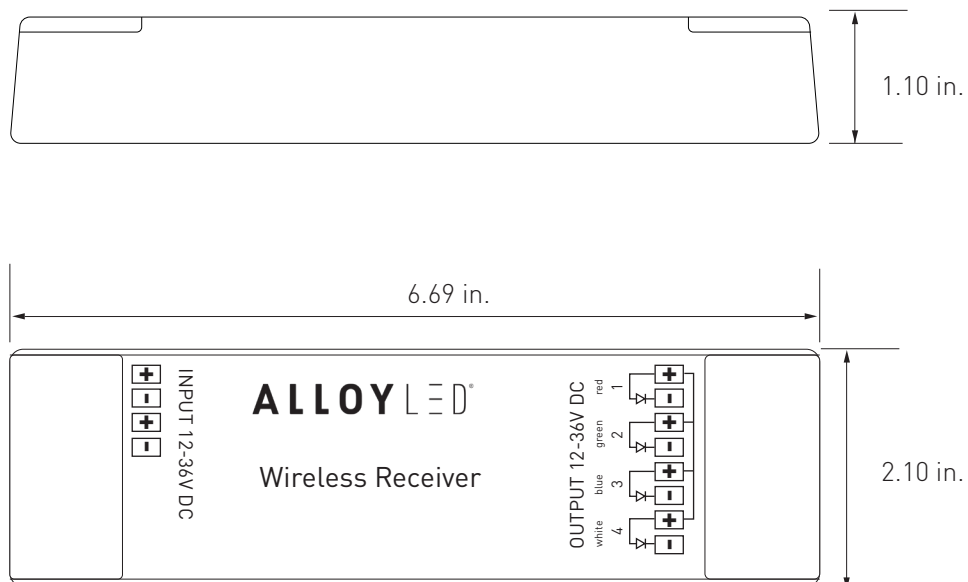
### TECHNICAL INFORMATION

- Compatible with: (all sold separately)
  - Remote Control Dimmer Switch - AL-60-03-0001
  - Wireless Remote Controller - AL-60-03-0002
  - DMX Touch Wall Controller - AL-60-03-0003
  - LED WiFi Controller Hub - AL-60-03-0008
  - SlimDim Wireless Controller - AL-60-03-0009

Maximum total amount of tape that can be connected to the Receiver (note: observe maximum run lengths for individual tape light sections):

Radialux® model	Receiver limit	Max. Run
2.2 RGB	163 ft.	16.4 ft.
4.4 RGB	81 ft.	16.4 ft.
4.4 RGB-W	109 ft.	16.4 ft.
5.9 RGB-W	81 ft.	16.4 ft.
8.8 RGB	40 ft.	20 ft.

### DIMENSIONS



# ALLOY LED® Specifications

## Safety & Warnings

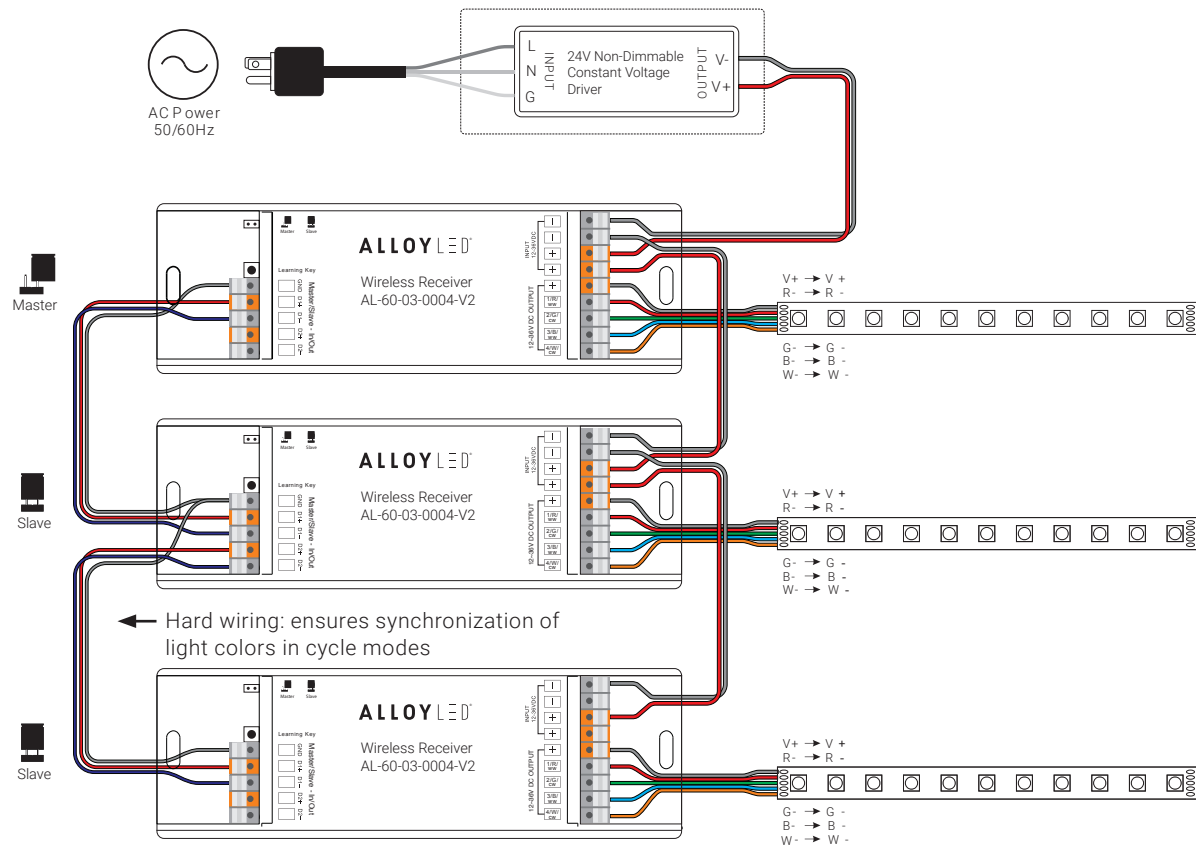
- This product should be installed and serviced by a qualified, licensed electrician in accordance with all national and local electrical codes.
- Do not expose this unit to water. When installed outdoors, ensure it is mounted in a waterproof enclosure.
- Always mount this unit in an area with proper ventilation to avoid overheating.
- Never connect any cables while power is on.
- Before switching power on, ensure connections are correct to avoid short circuits.

## Troubleshooting

- Make sure that the voltage of any LED power supplies used complies with the working voltage (12-36V DC ) of this product.
- Ensure that the connector wires are secured.
- Check that the wires coming from the fixture or connector match the markings for the terminals on the receiver, e.g. red is connected to red, blue is connected to blue, etc.

# ALLOY LED® Specifications

## Wiring Diagram (Single Zone with Multiple Slaves)



## OPERATION INSTRUCTIONS

### How to Pair the Receiver with the Wireless Remote Control (AL-60-03-0002), Remote Control Dimmer Switch (AL-60-03-0001), or DMX Touch Wall Controller (AL-60-03-0003)

1. Connect the components according to the diagram above, and power on when connections have been verified.
2. Wake up the controller by touching the ON/OFF button. The power indicator will light up.
3. Short press the "Learning Key" button on the receiver.
4. Touch a zone button on the controller. If only setting up one zone, simply press the "1" button.
5. Then touch the color wheel.
6. The connected LED lights will blink to confirm the zone designation.

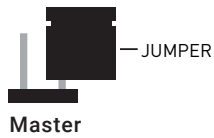
### How to Unpair the Receiver and Controller

1. Hold down the "Learning Key" button on the receiver for about 5 seconds. When the LED lights flash, the controller has been unpaired.

### Multiple Zones and Multiple Controllers.

1. To Set Up Multiple Zones: repeat the steps above in "How to Pair", assigning each zone its own number on the controller you are using. An unlimited number of receivers can be set to a single zone. The total number of zones is limited only by the remote controller being used with this receiver.
2. To Set Up Multiple Remotes to Control the Same Wireless Receiver: Each receiver can be controlled by a maximum of 8 different remote controllers. To set up, repeat the steps above in "How to Pair" for each remote.

## Synchronizing Multiple Receivers in a Single Zone



1. Select one receiver to be the master and install the jumper on one pin.
2. Set all remaining receivers as slaves by placing the jumpers on both pins. Note: There can only be one master, but there can be multiple slaves.
3. Ensure that all receivers are hard-wired to each other, as shown in the wiring diagram on page 2.
4. To activate the master function, turn the power to the master receiver off and then on.
5. Pair the master to the desired zone. All slaves connected to the master will now be in the assigned zone.

The lights are now synchronized and will remain synchronized after powering off and then back on.