

SlimDim™ Wireless Color Controller

AL-60-03-0009



SlimDim Wireless Dimmers are a revolution in lighting control. Using long range RF technology, these dimmers avoid the need for connecting directly to a power supply, cutting down on cost and installation time. SlimDims are simple and quick to install.

- Mount anywhere: on a wall or in an outlet
- Fob controller detaches for mobile, hand-held control
- Basic color control for Radialux® RGB / RGB-W tape: pair with the Wireless RGB/RGB-W Receiver (AL-60-03-0004)
- Dimmers and receivers are sold separately

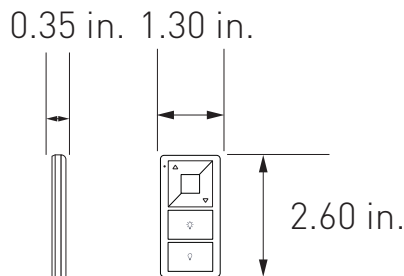
TECHNICAL INFORMATION

Item #	Description
AL-60-03-0009	SlimDim RGB/RGB-W Controller
AL-60-03-0004	Wireless RGB/RGB-W Receiver (sold separately)

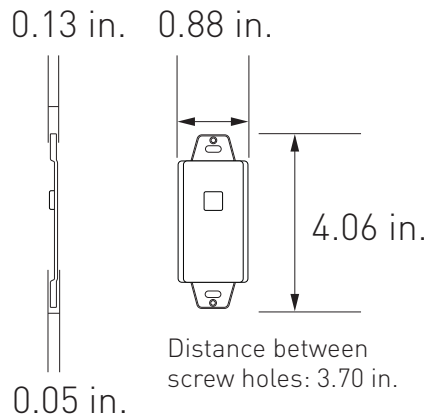
- Dimensions: 2.6 x 1.3 x 0.35 in.
- Battery Type: CR2032
- RF Freq.: 868/915/434MHz
- Max. receivers per remote control: 20
- Max. Range: 98 ft. unobstructed
- Mounting bracket is magnetic
- Batteries, remote, manual, screws and mounting bracket are included
- Wall plate not included

DIMENSIONS

SlimDim

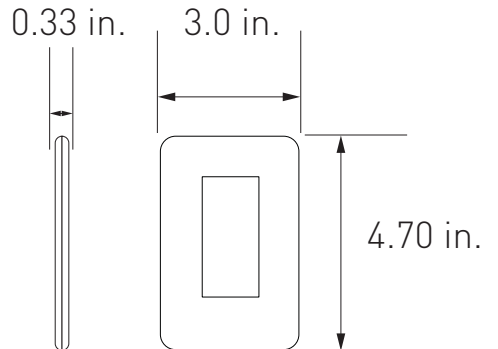


SlimDim Mounting Bracket

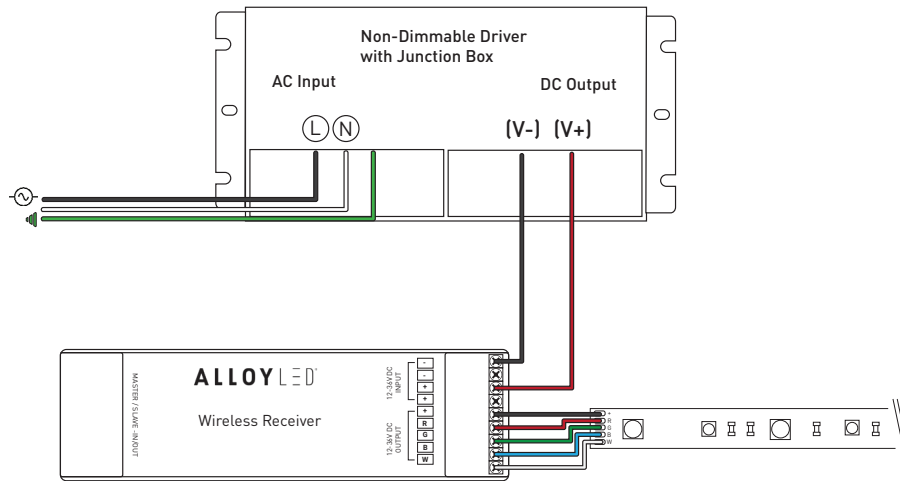


Dimmer Wall Plate

Note: Wall plate sold separately.



WIRING DIAGRAM



OPERATION INSTRUCTIONS

How to Pair the SlimDim RGB/RGB-W Controller with the Wireless Receiver (AL-60-03-0004)

1. Connect the components according to the diagram below.
2. Open the battery compartment and remove the plastic tab next to the battery.
3. Wake up the controller by touching the ON/OFF button. The power indicator will light up.
4. Short press the "Learning Key" button on the receiver for one second or less.
5. Touch the "RGB" button on the controller.
6. The connected LED lights will blink to confirm the pairing.

How to Unpair the Receiver and Controller

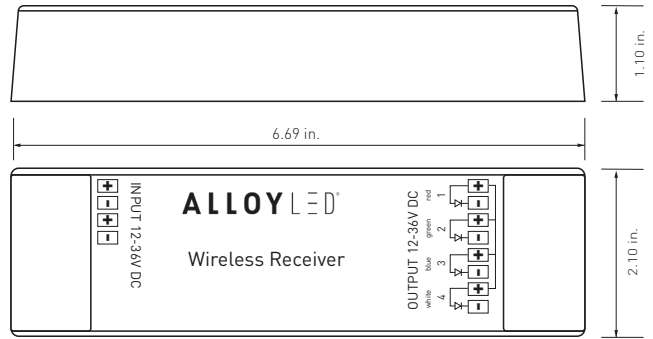
1. Hold down the "Learning Key" button on the receiver for 5 seconds. When the LED lights flash, the controller has been unpaired.

ACCESSORIES (SOLD SEPARATELY)

RGB / RGB-W Wireless Receiver

This receiver works with color controllers and dimmers (all sold separately) to provide full color control and dimming of Radialux color-changing LED tape lights.

AL-60-03-0004-V2 Wireless RGB / RGB-W Receiver



Alloy LED PowerFactor™ Non-Dimmable Power Supplies w/ UL Listed Junction Box



Item #	Output Voltage	Wattage	Wet Location	Dimensions (junction box) (L x W x H)	Class 2
AL-98-12-24030	24V DC	30W	Y (IP66)	6.5 x 3.6 x 1.02 in.	Y
AL-98-12-24060	24V DC	60W	Y (IP66)	7.4 x 3.6 x 1.02 in.	Y
AL-98-12-24080	24V DC	80W	Y (IP66)	8.6 x 3.7 x 1.6 in.	Y
AL-98-12-24096	24V DC	96W	Y (IP66)	8.6 x 3.7 x 1.6 in.	Y
AL-98-12-24192-MT	24V DC	192W (2*96W)	Y (IP66)	10.9 x 4.25 x 1.8 in.	Y
AL-98-12-24288-MT	24V DC	288W (3*96W)	Y (IP66)	11.8 x 4.25 x 1.8 in.	Y

Note: Alloy LED strongly recommends using Listed Class 2 power supplies for all installations. Always install in accordance with local and national electrical code regulations.