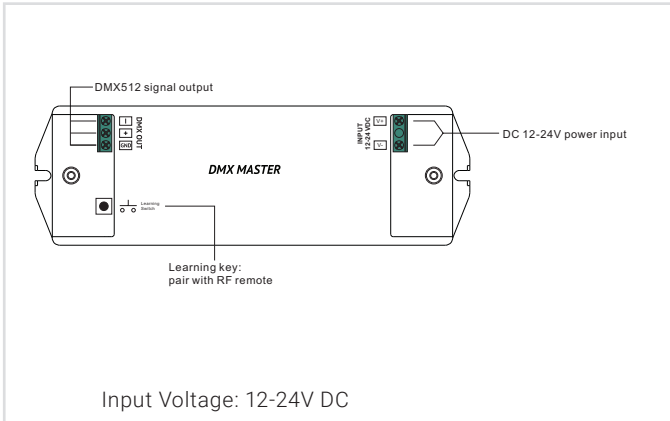


Wireless DMX Receiver

AL-60-03-0010



This wireless receiver is compatible with several color controllers and dimmers (all sold separately) to provide full color control and dimming of LED lights. Additional wireless receivers can be used with the same controller to create independent zones that are limited only by the controller.

Use with (all sold separately):

DMX Decoder - AL-60-03-0007

Wet Location DMX Decoder - AL-60-03-0006

Compatible switches (all sold separately):

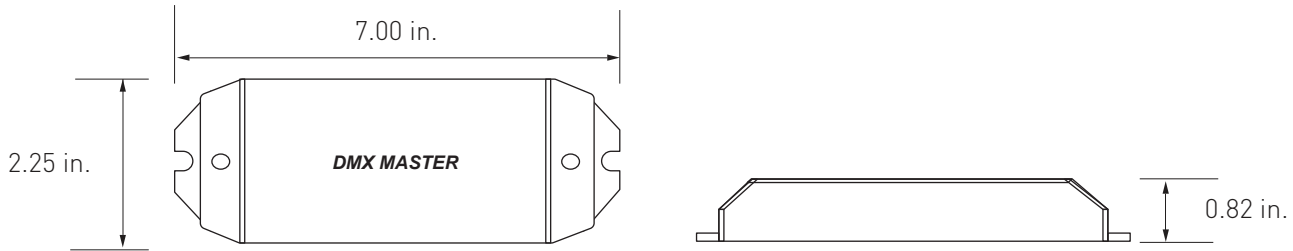
Remote Control Dimmer Switch - AL-60-03-0001

Wireless Remote Controller - AL-60-03-0002

DMX Touch Wall Controller - 3 Zones - AL-60-03-0003

DMX Touch Wall Controller - 3 Scenes - AL-60-03-0003-S

DIMENSIONS



OPERATION

How to Pair the Wireless DMX Receiver with a Controller

1. Connect the components according to the diagram on the other side of this sheet.
2. Wake up the controller by touching the ON/OFF button. The power indicator will light up.
3. Short press the "Learning Key" button on the DMX receiver.
4. Touch a zone button on the controller. If only setting up one zone, simply press the "1" button.
5. Then touch the color wheel.
6. The connected LED lights will blink to confirm the zone designation.

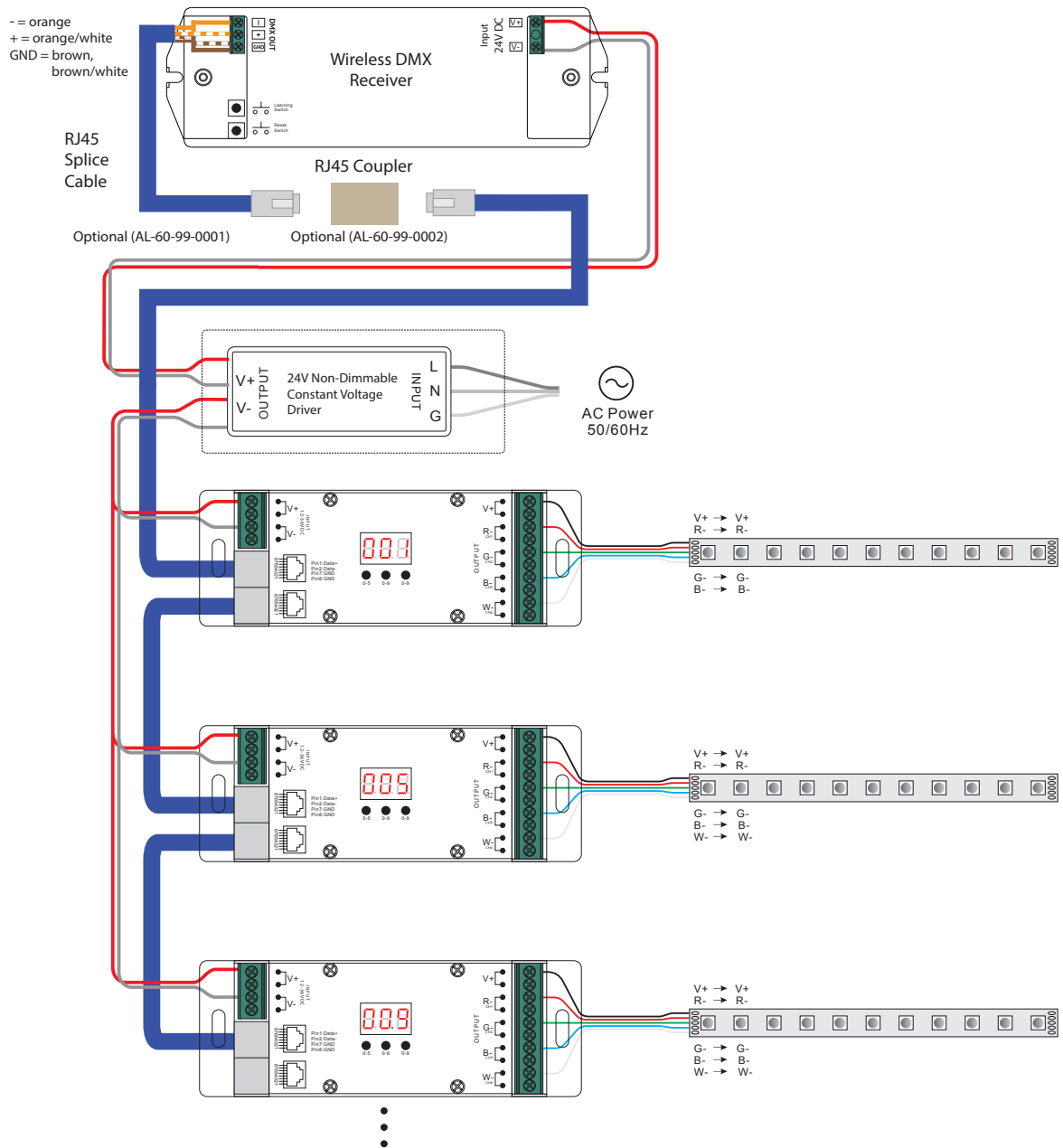
How to Unpair the Receiver and Controller

1. Hold down the "Learning Key" button on the DMX receiver for about 5 seconds. When the LED lights flash, the controller has been unpaired.

How to Connect the Wireless DMX Receiver with DMX Decoders

Please see the wiring diagram on the other side of this sheet.

WIRING DIAGRAM



Safety & Warnings

- This product should be installed and serviced by a qualified technician.
- Do not expose this unit to water. When installed outdoors, ensure it is mounted in a waterproof enclosure.
- Always mount this unit in an area with proper ventilation to avoid overheating.
- Never connect any cables while power is on.
- Before switching power on, ensure connections are correct to avoid short circuits.

Troubleshooting

- Make sure that the voltage of any LED power supplies used complies with the working voltage of this product.
- Ensure that the connector wires are secured tightly in the screw terminals.
- Check that the wires coming from the fixture or connector match the markings for the screw terminals on the Receiver.