

Wet Location DMX Decoder

AL-60-03-0006

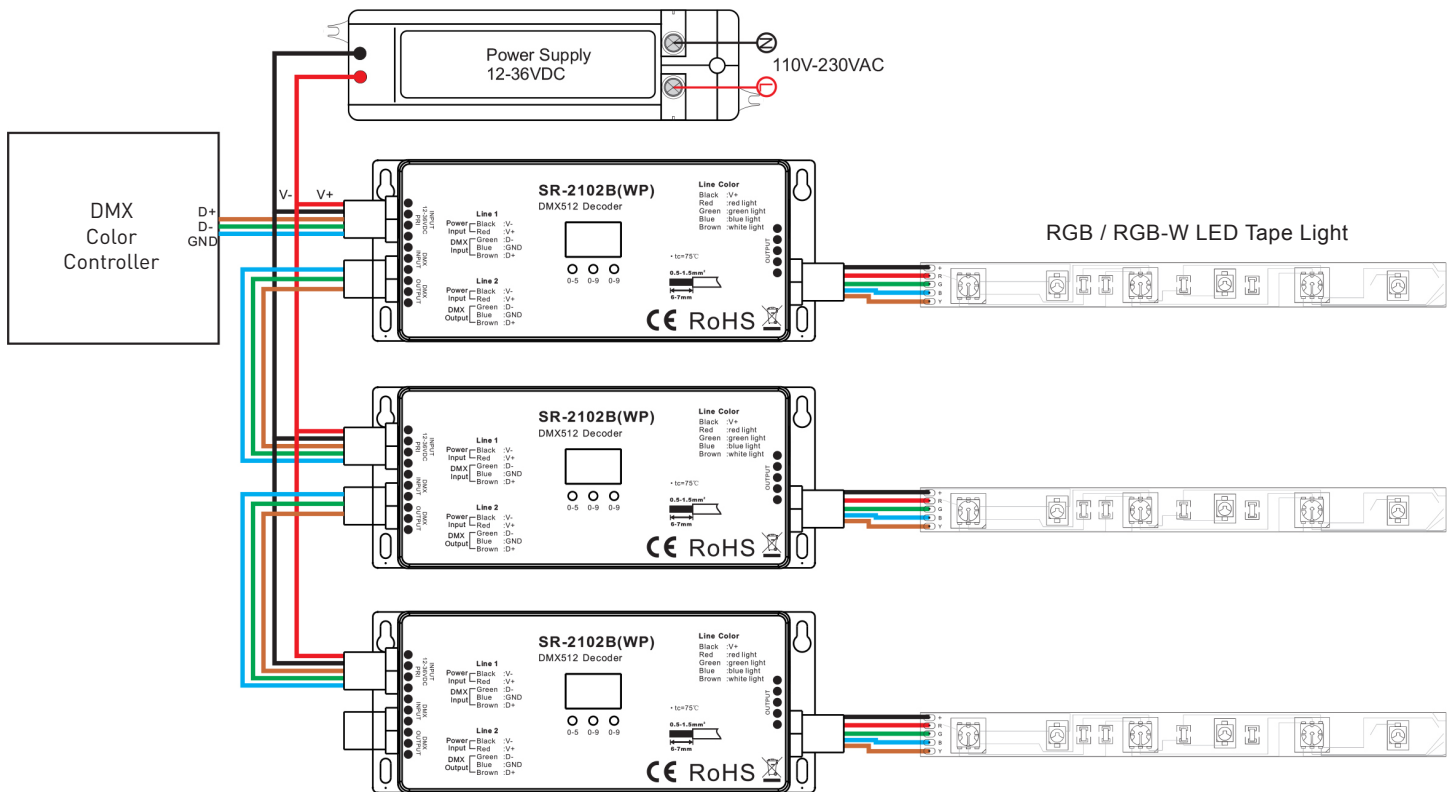


The Wet Location DMX Decoder translates the digital signals from DMX color controllers, such as the Nicolaudie series, into the analog signal used by Radialux™ RGB and RGB-W 24V LED tape lights. This powerful decoder supports large installations with a clean, consistent signal and is also easy to address with the digital interface. This wet location decoder has all the features of the dry location model in an IP67 form factor that can be used in wet indoor spaces or outdoors.

- Input Voltage: 12-36V DC
- Max. Wattage: 5A per channel
- Output Voltage: 120W (24V)
- Constant Voltage
- Operating Temperature: -20°C~+50°C, -4°F~122°F
- Dimensions: 7.1 x 2.9 x 1.5 in.
- Power Source: 24V Non-Dimmable Driver

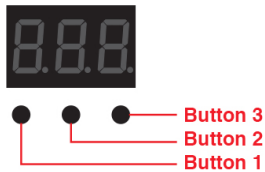


WIRING DIAGRAM



OPERATION

Setting DMX Decoder Address



Button 1 sets the "hundreds place"

Button 2 sets the "tens place"

Button 3 sets the "ones place"

The address values cannot exceed 512.

Turn on the power of the DMX Decoder.



Choose the Channel

Press **Button 2** and **Button 3** at the same time for 2 seconds, and the channel digital display will flash. Then press **Button 1** to choose 1/2/3/4: 3 means three output channels total (for RGB), 4 means four total channels (for RGB-W). Press any button for 2+ seconds to confirm the 1, 2, 3 or 4 channels. The factory preset default is 4 channels.

NOTE:

- When selecting one channel, set all four channels to the same address: 001.
- When selecting two channels, set channels one and three to the same address 001, and channels two and four to 002.
- When selecting three channels, set channels 1, 2, 3 to 001, 002, 003, and channel 4 to 001
- When selecting four channels, set channels 1, 2, 3, 4 to 001, 002, 003, 004.

Set the DMX Address

Press Button 1 for 2 seconds, and the digital display will flash to set the required DMX address, then press any button for 2+ seconds to confirm.



Choose the PWM Frequency

- Press **Button 1** and **Button 3** at the same time for 2 seconds, and the channel digital display will flash and display "P_c".
- "P" means PWM frequency, press **Button 1** to show "1", which means 1500Hz, "2" means 200Hz.
- "c" means dimming options, press **Button 3** to show "1", which means logarithmic dimming, while "2" means linear dimming.
- The factory preset default is PWM frequency 200Hz with linear dimming, with the display reading "2_2".

SAFETY AND WARNINGS

- This product should be installed and serviced by a qualified technician.
- Do not expose this unit to water. When installed outdoors, ensure it is mounted in a waterproof enclosure.
- Always mount this unit in an area with proper ventilation to avoid overheating.
- Never connect any cables while power is on.
- Before switching power on, ensure connections are correct to avoid short circuits.

TROUBLESHOOTING

- Check that the output voltage of any LED power supplies used comply with the working voltage of the product.
- Ensure that all cable connections are secure.