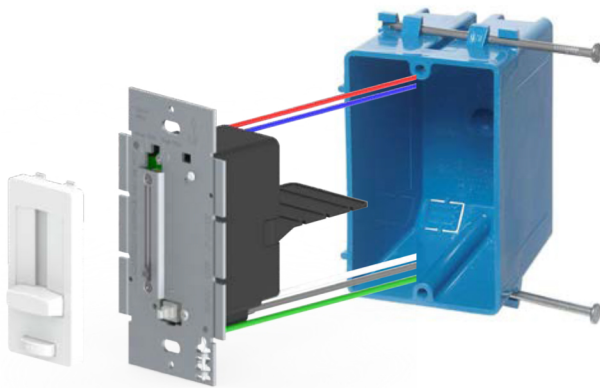


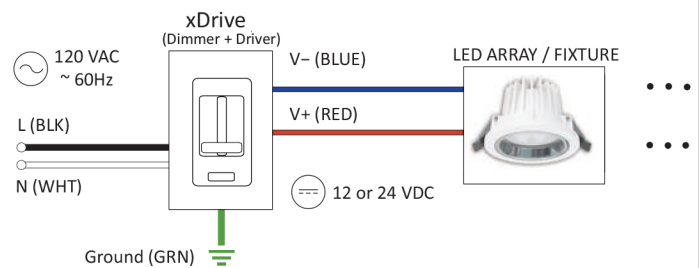
100 W Constant Voltage LED Driver with Integrated Dimmer for Single Gang Box Mount

| Nominal Input Voltage | Max. Output Power | Output Voltage | Output Current Max | Efficiency | Max. Ambient Temperature | THD | Power Factor | Dimming Range | Startup Time |
|-----------------------|-------------------|----------------|--------------------|-------------------|--------------------------|-------|--------------|--------------------------|----------------|
| 120 Vac | 100 W | 24 V CV | 4.2 A | up to 91% typical | 40°C | < 20% | > 0.9 | 1 - 100% of light output | 500 ms typical |

CV: Constant Voltage



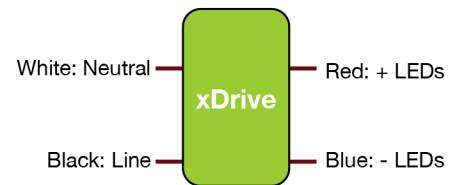
100 W: Metal Case & metal wall plate



Typical Application Diagram

FEATURES

- LED Driver + Dimmer in one physical unit
- Simplifies LED installation by eliminating compatibility issues between driver and dimmer
- Fits in a standard recessed electrical box (gang box)
- 100% - 1% smooth dimming
- Single pole preset dimmer with on/off push switch
- Adjustable voltage output dial to address voltage drop
- Includes voltage barrier partition to install high and low voltage circuit in same gang box
- No derating required when ganging units
- Power failure memory: If power is interrupted, xDrive will return to the setting prior to interruption.
- The Glossy White color is the default color for the face plate and the trim plate. Other colors (Glossy Light Almond, Glossy Dark Brown, and Glossy Black) are available but sold separately.
- Compatible with some 3rd party screw-less trim plates.



Wiring Diagram

APPLICATIONS

- Track lights, downlights
- Tape/strip lights, and under-cabinet lights



100 W Constant Voltage LED Driver with Integrated Dimmer for Single Gang Box Mount

1 – ORDERING INFORMATION

| Part Number | Nominal AC Line Voltage (Vac) | Pout Max (W) | Pout Min (W) | Vout Nom (V) | Iout Max (A) | Vout Regulation (Vdc) | Vout ripple (p-p) |
|--------------------|-------------------------------|--------------|--------------|--------------|--------------|-------------------------|-------------------|
| AL-97-02-24100 | 120 | 100 | 5 | 24 | 4.2 | 22.2 - 25.8 (+/- 1.8 V) | < 10% |
| AL-97-02-24100-ALM | 120 | 100 | 5 | 24 | 4.2 | 22.2 - 25.8 (+/- 1.8 V) | < 10% |
| AL-97-02-24100-BLK | 120 | 100 | 5 | 24 | 4.2 | 22.2 - 25.8 (+/- 1.8 V) | < 10% |
| AL-97-02-24100-BRN | 120 | 100 | 5 | 24 | 4.2 | 22.2 - 25.8 (+/- 1.8 V) | < 10% |
| AL-97-02-24100-WH | 120 | 100 | 5 | 24 | 4.2 | 22.2 - 25.8 (+/- 1.8 V) | < 10% |

Content of the box:

Each SKU model includes following accessories:

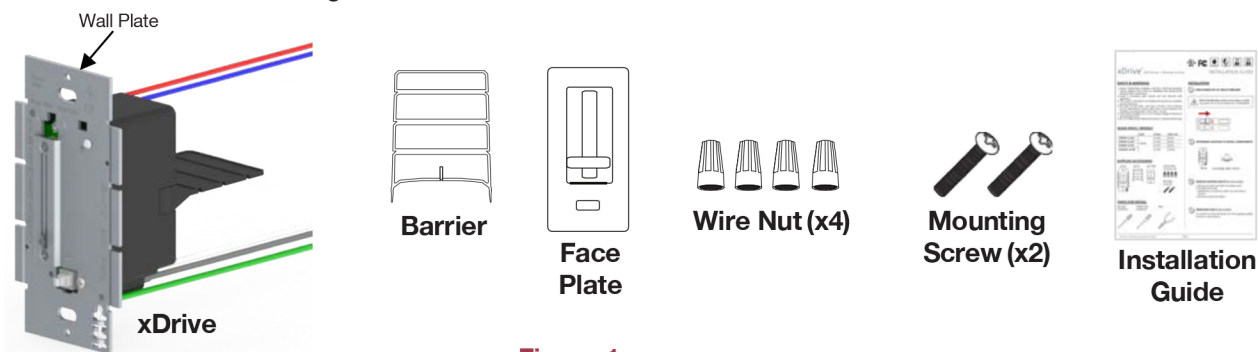


Figure 1

Notes:

1. The glossy white trim plate is not included in the box. It can be ordered as an option (part number: xDriveGWTP).
2. The Glossy White color is the default color for the face plate. Other colors (Glossy Light Almond, Glossy Dark Brown, and Glossy Black) are available but sold separately. Face plates can be interchanged as shown here below:

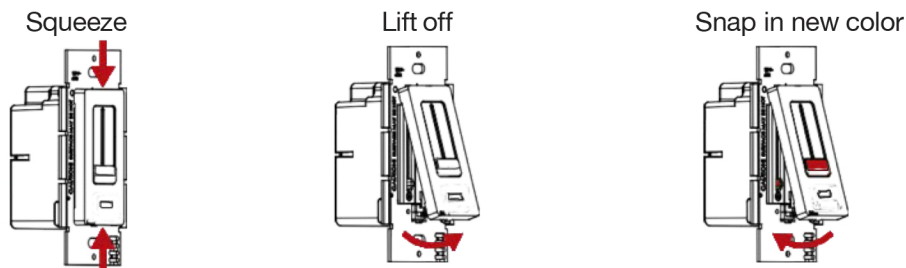
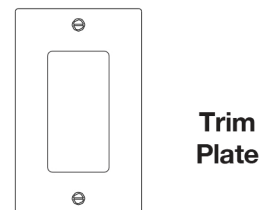


Figure 2

Optional Orderable Items:

- Glossy Brown Face Plate (FP) +Trim Plate (TP) part number: AL-97-02-24100-BRFPTP
- Glossy Light Almond FP+TP: AL-97-02-24100-ALMFPTP
- Glossy Black FP+TP: AL-97-02-24100-BLFPTP
- Glossy White TP: AL-97-02-24100-WHTP



100 W Constant Voltage LED Driver with Integrated Dimmer for Single Gang Box Mount

2 - INPUT SPECIFICATION (@25° C ambient temperature)

| | Units | Minimum | Typical | Maximum | Notes |
|---|---|---------|-----------|---------|---|
| Input Voltage Range (Vin) | Vac | 108 | 120 | 132 | |
| Input Frequency Range | Hz | 47 | 60 | 63 | |
| Power Factor (PF) | | 0.9 | > 0.9 | | At nominal input voltage and full rated load |
| Inrush Current | Meets NEMA-410 requirements | | | | At any nominal input full sine wave voltage and full rated load |
| Leakage Current | µA | | | 500 | At nominal input voltage and measured per IEC 60950-1, paragraph 5.1 |
| Input Harmonics | Complies with IEC61000-3-2 for Class C | | | | |
| Total Harmonics Distortion (THD) | | | | 20% | <ul style="list-style-type: none"> •At nominal input voltage and full rated load •Complies with DLC (DesignLight Consortium) technical requirements |
| Efficiency | % | - | up to 91% | - | At nominal input voltage and full rated load |
| Isolation | Meets UL60950-1 for class II reinforced/double insulation power supply <input type="checkbox"/> | | | | |
| Standby Power | W | - | | 0.5 | With no load |

3 - OUTPUT SPECIFICATION (@25° C ambient temperature)

| | Units | Minimum | Typical | Maximum | Notes |
|----------------------------------|--|---------|---------|---------|---|
| Output Voltage (Vout) | Vdc | | 24 | | See ordering information for details |
| Output Current (Iout) | A | 0 | | 4.2 A | •for 100 W/24 V |
| Output Voltage Regulation | % | | ±3.0 | | Includes AC line voltage, load, and voltage set point variations |
| Output Voltage Overshoot | % | - | - | 20 | The driver does not operate outside of the regulation requirements for more than 200 ms during power on |
| Ripple Voltage | ≤ 10% of rated output voltage for each model | | | | <ul style="list-style-type: none"> •Measured at nominal input voltage. •Calculated in accordance with the IES Lighting Handbook, 9th edition. |
| Dimming Range | % | 1 | | 100 | As a % of light output |
| Start-up Time | ms | | 500 | | |

100 W Constant Voltage LED Driver with Integrated Dimmer for Single Gang Box Mount

4 - ENVIRONMENTAL CONDITIONS

| | Units | Minimum | Typical | Maximum | Notes |
|------------------------------------|--|---------|---------|---------|--|
| Operating Ambient Temperature (Ta) | °C | 0 | | +40 | |
| Storage Temperature | °C | -40 | | +85 | |
| Humidity | % | 8 | - | 90 | Non-condensing |
| Cooling | Convection cooled | | | | |
| Acoustic Noise | dBA | | | 22 | Measured at a distance of 1 foot (30 cm) |
| Mechanical Shock Protection | per EN60068-2-27 | | | | |
| Vibration Protection | per EN60068-2-6 & EN60068-2-64 | | | | |
| MTBF | > 200,000 hours when operated at nominal input voltage and 75% of rated load, and at Tc ≤ 70°C | | | | |
| Lifetime | hours | 50,000 | | | At Tc ≤ 70°C maximum case hot spot temperature |

5 - EMC COMPLIANCE AND SAFETY APPROVALS

| EMC Compliance | | |
|--------------------------------|---|---|
| Conducted and Radiated EMI | FCC CFR Title 47 Part 15 Class B at 120 Vac | |
| Harmonic Current Emissions | IEC61000-3-2 For Class C equipment | |
| Voltage Fluctuations & Flicker | IEC61000-3-3 | |
| Immunity Compliance | ESD (Electrostatic Discharge) | IEC61000-4-2 6 kV contact discharge, 8 kV air discharge, level 3 |
| | RF Electromagnetic Field Susceptibility | IEC61000-4-3 3 V/m, 80 - 1000 MHz, 80% modulated at a distance of 3 meters |
| | Electrical Fast Transient | IEC61000-4-4 ± 2 kV on AC power port for 1 minute, ± 1 kV on signal/control lines |
| | Surge | IEC61000-4-5 ± 1 kV line to line (differential mode) / ± 2 kV line to common mode ground (tested to secondary ground) on AC power port, ± 0.5 kV for outdoor cables |
| | Conducted RF Disturbances | IEC61000-4-6 3 V, 0.15-80 MHz, 80% modulated |
| | Voltage Dips | IEC61000-4-11 >95% dip, 0.5 period; 30% dip, 25 periods; 95% reduction, 250 periods |
| Transient Protection | Ring Wave | ANSI/IEEE c62.41.1-2002 & c62.41.2-2002 category A, 2.5 kV ring wave |

Safety Agency Approvals

| | |
|-----------|---------------------------------------|
| UL Listed | UL8750, UL2108, UL1598 / CSA 250.0-08 |
| cUL | CSA 250.13-12 |

Safety

| | Units | Minimum | Typical | Maximum | Notes |
|---|-------|---------|---------|---------|---|
| Hi Pot (High Potential) or Dielectric Voltage-Withstand | Vdc | 2500 | | | <ul style="list-style-type: none"> Insulation between the input (AC line and Neutral) and the output Tested at the RMS voltage equivalent of 1768 Vac |

100 W Constant Voltage LED Driver with Integrated Dimmer for Single Gang Box Mount

■ 6 - PROTECTION FEATURES

Under-Voltage (Brownout)

The xDrive series provides protection circuitry such that an application of an input voltage below the minimum stated in paragraph 1 (Input Specification) shall not cause damage to the driver.

Short Circuit

The xDrive series is protected against short-circuit such that a short from any output to return shall not result in a fire hazard or shock hazard. The driver shall hiccup as a result of a short circuit or over current fault. Removal of the fault will return the driver to within normal operation. The driver shall recover, with no damage, from a short across the output for an indefinite period of time.

Internal Over temperature Protection

The xDrive series incorporates circuitry that prevents internal damage due to an over temperature condition. An over temperature condition may be a result of an excessive ambient temperature or as a result of an internal failure. When the over temperature condition is removed, the driver shall automatically recover.

Output Over-Voltage Protection

The output voltage of the xDrive series is limited to 1.3 times the maximum output voltage of each model.

100 W Constant Voltage LED Driver with Integrated Dimmer for Single Gang Box Mount

7 – MOUNTING

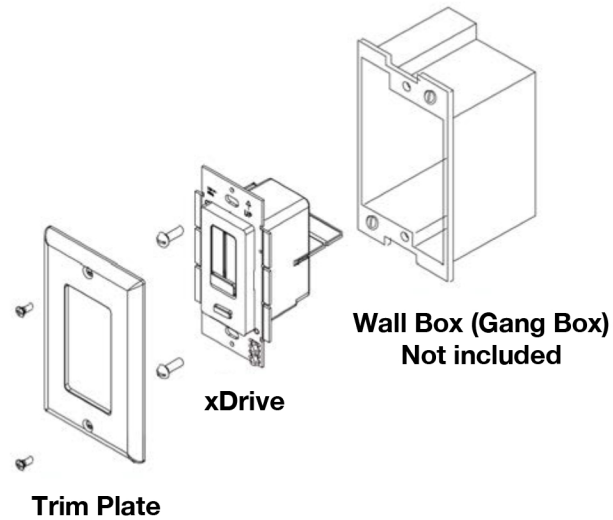


Figure 3

8 – OPERATION & DIMMING

Output voltage is adjustable via a sliding lever by end user.

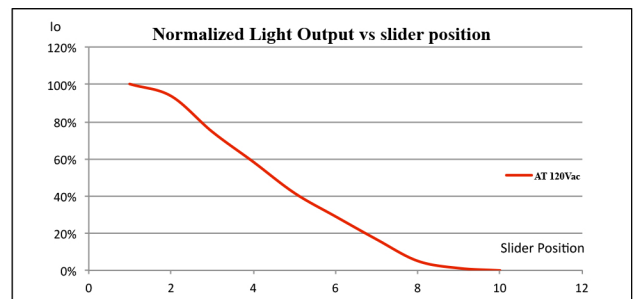
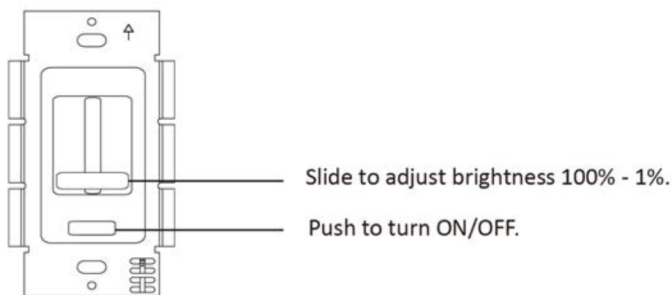


Figure 4

100 W Constant Voltage LED Driver with Integrated Dimmer for Single Gang Box Mount

9 – VOLTAGE DROP CHARTS

For best performance and lumen output, ensure proper wire gauge is installed to compensate for voltage drop of low voltage circuits.

Example: 12V Voltage Drop & Wire Length Distance Chart

| Wire Gauge | 10W .83A | 20W 1.7A | 30W 2.5A | 40W 3.3A | 50W 2.1A | 60W 4.2A |
|------------|-------------|-------------|-------------|-------------|-------------|-------------|
| 18AWG | 34 ft. | 17 ft. | 11 ft. | 8 ft. | 6 ft. | 5 ft. |
| 16AWG | 54 ft. | 27 ft. | 18 ft. | 13 ft. | 10 ft. | 9 ft. |
| 14AWG | 86 ft. | 43 ft. | 29 ft. | 21 ft. | 17 ft. | 14 ft. |
| 12AWG | 134 ft. | 68 ft. | 45 ft. | 34 ft. | 27 ft. | 22 ft. |
| 10AWG | 199 ft. | 99 ft. | 66 ft. | 49 ft. | 39 ft. | 33 ft. |

① Determine load size. Let's assume load is 55 W. Round up to the nearest load.

② Determine distance from xDrive to load. Let's assume the distance is 20 ft. Round up to the nearest distance.

③ It is then recommended to install 12 AWG to eliminate excess voltage drop.

12V Voltage Drop & Wire Length Distance Chart

| Wire Gauge | 10W .83A | 20W 1.7A | 30W 2.5A | 40W 3.3A | 50W 2.1A | 60W 4.2A |
|------------|-------------|-------------|-------------|-------------|-------------|-------------|
| 18AWG | 34 ft. | 17 ft. | 11 ft. | 8 ft. | 6 ft. | 5 ft. |
| 16AWG | 54 ft. | 27 ft. | 18 ft. | 13 ft. | 10 ft. | 9 ft. |
| 14AWG | 86 ft. | 43 ft. | 29 ft. | 21 ft. | 17 ft. | 14 ft. |
| 12AWG | 134 ft. | 68 ft. | 45 ft. | 34 ft. | 27 ft. | 22 ft. |
| 10AWG | 199 ft. | 99 ft. | 66 ft. | 49 ft. | 39 ft. | 33 ft. |

24V Voltage Drop & Wire Length Distance Chart

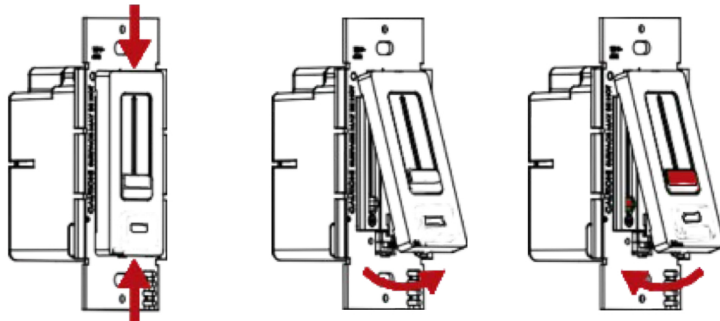
| Wire Gauge | 10W .42A | 20W .83A | 30W 1.3A | 40W 1.7A | 50W 2.1A | 60W 2.5A | 70W 2.9A | 80W 3.3A | 100W 4.2A |
|------------|-------------|-------------|-------------|-------------|-------------|-------------|-------------|-------------|--------------|
| 18AWG | 134 ft. | 68 ft. | 45 ft. | 33 ft. | 27 ft. | 22 ft. | 19 ft. | 17 ft. | 14 ft. |
| 16AWG | 215 ft. | 109 ft. | 72 ft. | 54 ft. | 43 ft. | 36 ft. | 31 ft. | 27 ft. | 22 ft. |
| 14AWG | 345 ft. | 174 ft. | 115 ft. | 86 ft. | 69 ft. | 57 ft. | 49 ft. | 43 ft. | 36 ft. |
| 12AWG | 539 ft. | 272 ft. | 181 ft. | 135 ft. | 108 ft. | 90 ft. | 77 ft. | 68 ft. | 56 ft. |
| 10AWG | 784 ft. | 397 ft. | 263 ft. | 197 ft. | 158 ft. | 131 ft. | 112 ft. | 98 ft. | 82 ft. |

100 W Constant Voltage LED Driver with Integrated Dimmer for Single Gang Box Mount

10 – VOLTAGE ADJUSTMENT

xDrive can provide a 1V boost if the fixture is showing noticeable light degradation.

- Pop off face plate, as shown in figure 5
- Use a small screwdriver to adjust output voltage by turning adjustment dial clockwise, as shown in figure 6.



a. Gently squeeze top and bottom of face plate.

b. Lift face plate from housing.

c. Insert face plate back into top housing groove. Position housing slider and face plate slider at min brightness (bottom level) and pop on face plate.

Figure 5

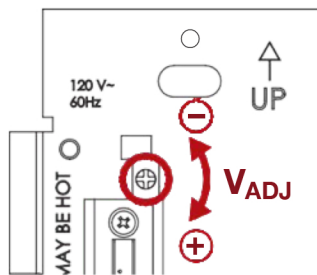


Figure 6

100 W Constant Voltage LED Driver with Integrated Dimmer for Single Gang Box Mount

11 - MECHANICAL DETAILS

Packaging Options: Metal case for 100 W. For 100 W, the wall plate is always made of metal.

I/O Connections: Flying leads, 18 AWG on both AC and DC leads, 152 mm (6") long, 105°C rated, stripped by approximately 9.5 mm and tinned. All the wires, on both input and output, have a 600 V insulation rating. There is a ground wire attached to the wall plate.

Ingress Protection: IP20 rated

12 – OUTLINE DRAWINGS

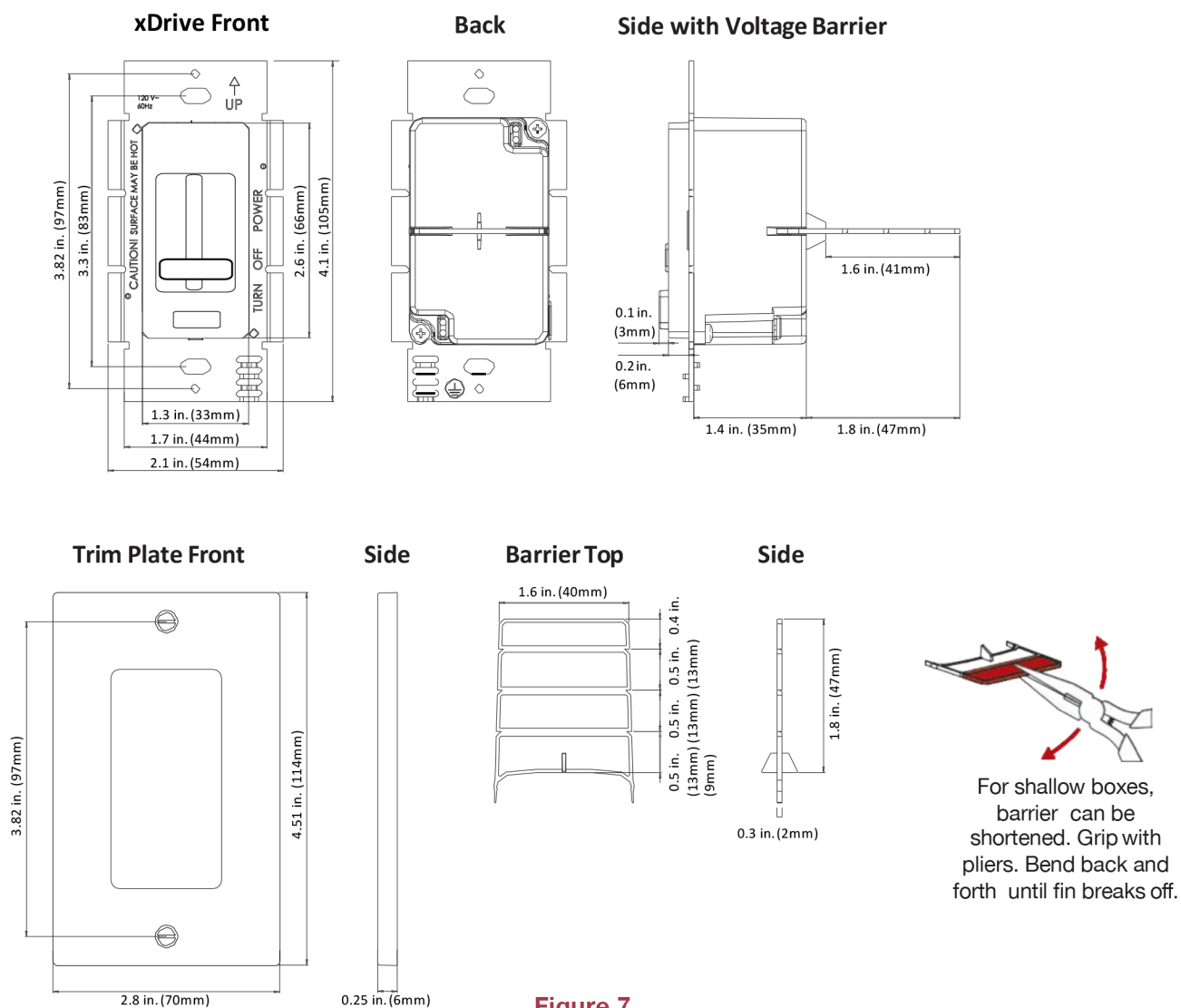


Figure 7

100 W Constant Voltage LED Driver with Integrated Dimmer for Single Gang Box Mount

13 - LABELING

The figure is used as an example to illustrate a typical label.

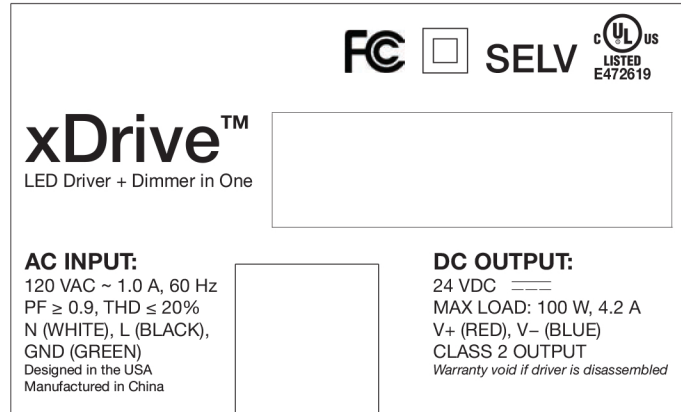


Figure 8

14 – SAFETY/ WARNINGS/ DISCLOSURES

1. UNLIKE TRADITIONAL DIMMING CONTROLS, xDrive REQUIRES UNIQUE WIRING STEPS. READ ALL WARNINGS AND INSTALLATION INSTRUCTIONS THOROUGHLY.
2. Install in accordance with national and local electrical code regulations.
3. This product is intended to be installed and serviced by a qualified, licensed electrician.
4. NEC Code 725.136: Class 1 and Class 2 circuits in same enclosure must be separated by a barrier unless Class 2 circuit conductors are installed in accordance with 725.41 Class 1 Circuits. For example, Non-Metallic (NM) cable is considered a Class 1 circuit conductor. Therefore, if both high voltage and low voltage circuits are installed with NM cable then the voltage barrier is not required for installation.
5. Only install compatible 12 V or 24 V Constant Voltage DC fixtures or warranty will be void.
6. Suitable for indoor / dry installation.
7. To compensate for voltage drop, ensure applicable gauge in-wall rated wire is installed between control and fixture.
8. Do not modify product beyond instructions or warranty will be void.