

DMX 3 Scene Touch Wall Controller

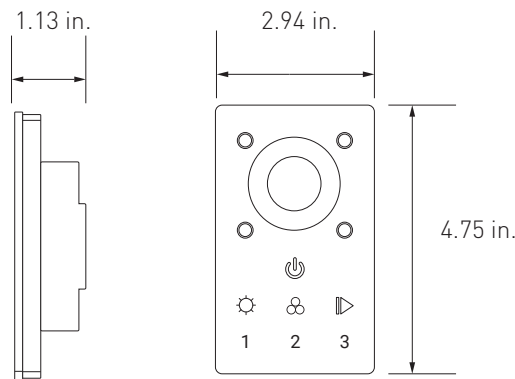
AL-60-03-0003-S



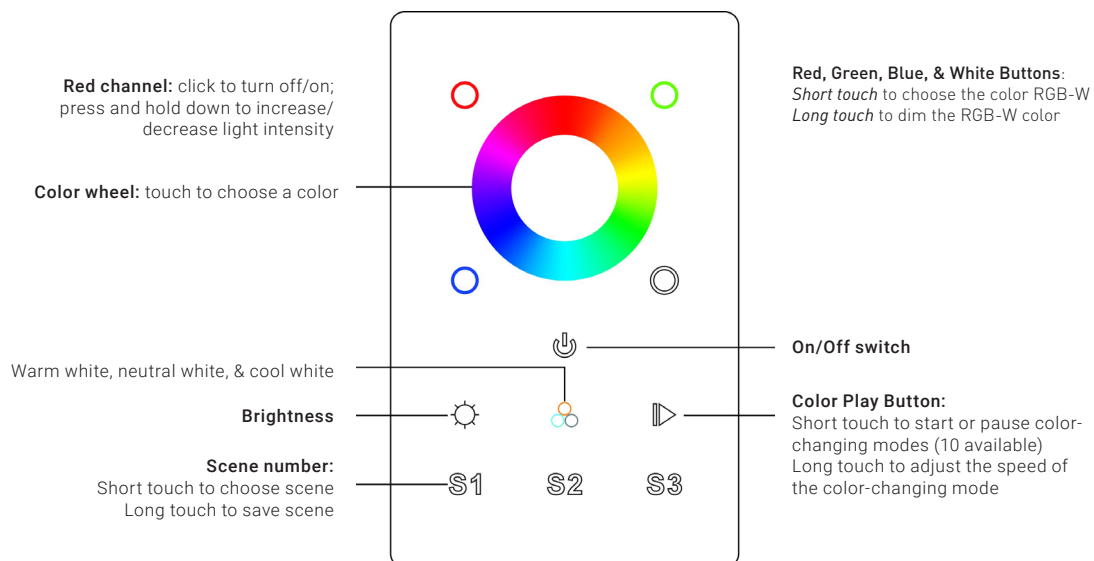
This DMX Touch Controller is used with DMX Decoders (AL-60-03-0007 - sold separately) or Wireless Receivers (AL-60-03-0004 - sold separately) to control the color mode, speed, and brightness of both Radialux® RGB and RGB-W tape lights. It features a touch-sensitive glass interface and the ability to create up to three separate lighting scenes that can be saved, and it is easy to install into a standard wall outlet. This controller is powered by our Non-Dimmable Drivers.

- Power Source: 12-24V DC Non-Dimmable Driver
- Scenes: 3
- Signal: DMX512
- Location: Indoor, Dry (IP20)
- Max. receivers per remote control: 20

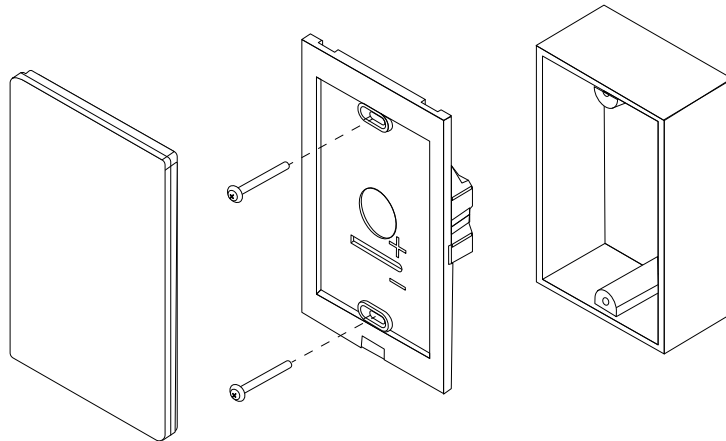
DIMENSIONS



KEYPAD LAYOUT



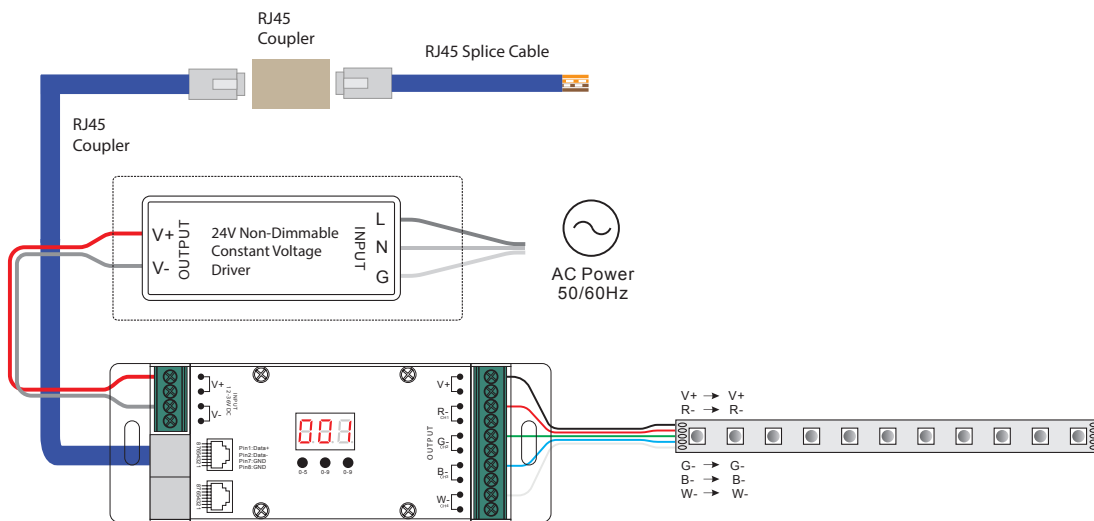
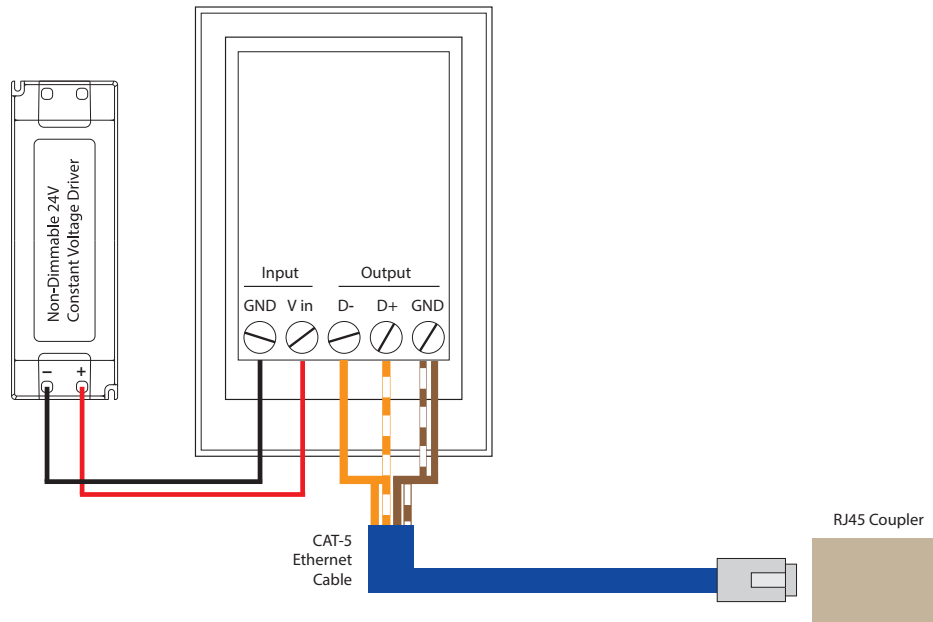
INSTALLATION



SAFETY & WARNINGS

- This product should be installed and serviced by a qualified technician
- Alloy LED strongly recommends installing these in-wall controllers in a PVC or plastic junction box if they are intended to be used wirelessly
- Do not expose this unit to water. When installed outdoors, ensure it is mounted in a waterproof enclosure
- Always mount this unit in an area with proper ventilation to avoid overheating
- Never connect any cables while power is on
- Before switching power on, ensure connections are correct to avoid short circuits

WIRING DIAGRAMS



BUILT-IN COLOR-CHANGING MODES



Two color smooth fading



One color fade-in with sharp cutoff



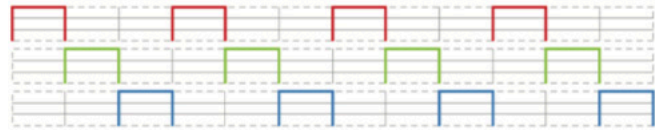
Double two/three color fading



One color flash-in with fade-out



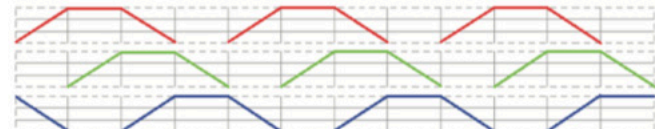
Mixed three color short and long fading



One color flashing



Overlapping three color flashing



Three color fade-in/short hold/fade-out



One color smooth fading



Three color fade-in/long hold/fade-out