

ALLOY LED[®] Specifications

RGB/RGB-W Amplifier

AL-60-03-0005



The RGB/RGB-W Amplifier solves the problem of common signal loss over long Radialux™ RGB or RGB-W LED tape light runs by amplifying the signal. This signal repeater is a powerful tool for use in large installations, since it allows you to command several runs of tape over long distances using the same color controller.



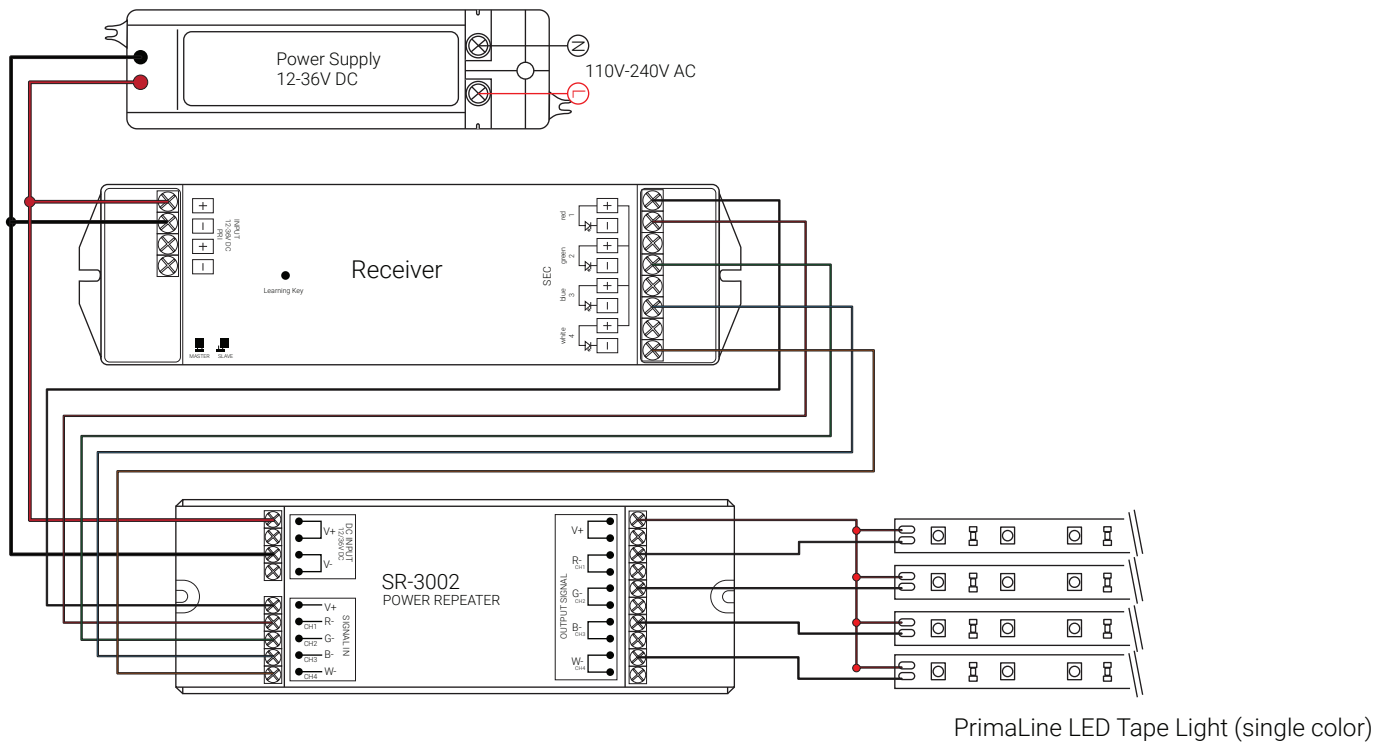
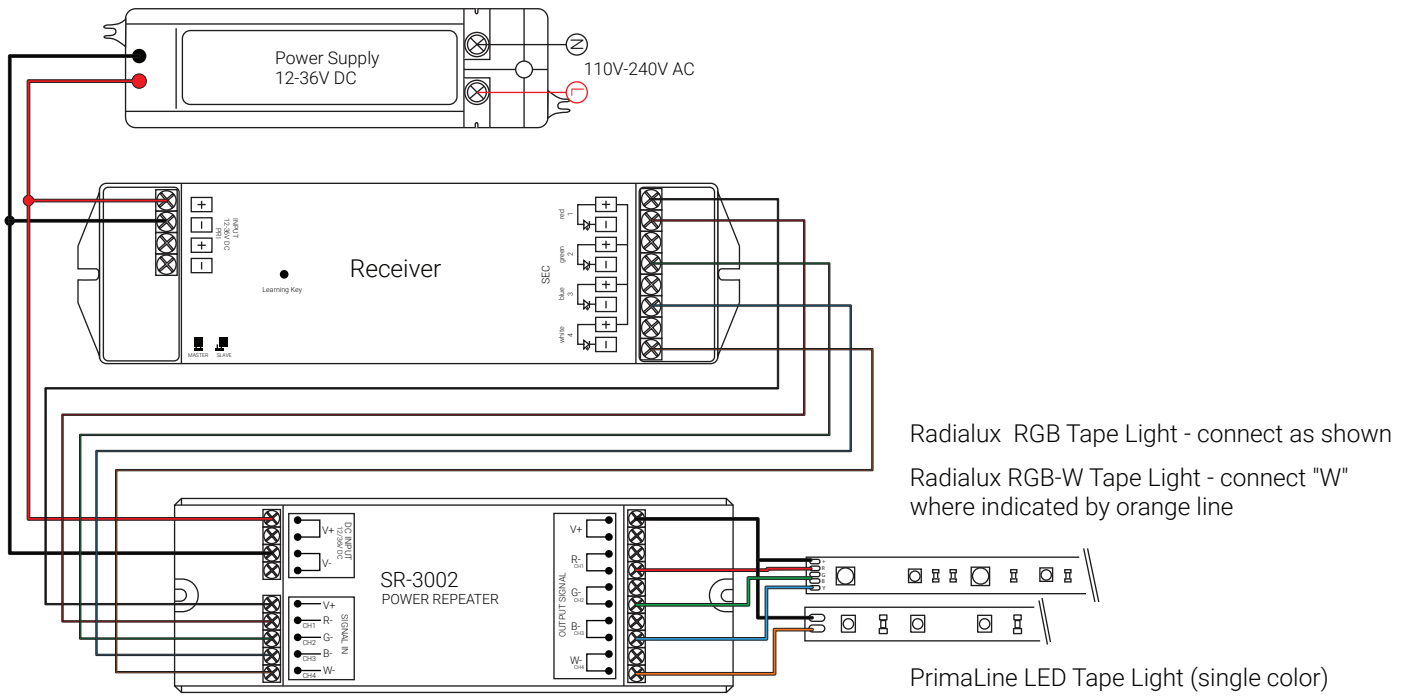
TECHNICAL INFORMATION

- Input Voltage: 12-24V DC
- Output Voltage: 96-288W per channel
- Max. Current: 8A per channel
- Constant Voltage
- Compatible with PrimaLine™ and Radialux™ RGB and RGB-W Tape Lights.
- Location: Dry (IP20)
- Dimensions: 6.7 x 2.32 x 1.2 in.

PRODUCT INFORMATION

Item #	Dimensions	Input Voltage
AL-60-03-0005	6.7 x 2.32 x 1.2 in.	12-24V DC

WIRING DIAGRAM



SAFETY & WARNINGS

- This product should be installed and serviced by a qualified technician.
- Do not expose this unit to water. When installed outdoors, ensure it is mounted in a waterproof enclosure.
- Always mount this unit in an area with proper ventilation to avoid overheating.
- Never connect any cables while power is on. Before switching on, ensure connections are correct to avoid short circuits.

TROUBLESHOOTING

- Check that the output voltage of the LED power supplies used matches the working voltage of the product.
- Ensure that all wires are secured tightly in the terminals.
- Check that the wires coming from the fixture match the contacts on the Amplifier, e.g. red is connected to red, blue is connected to blue, etc.