

# SlimDim™ Wireless Dimmer

Single Color Dimmer



SlimDim Wireless Dimmers are a revolution in lighting control. Using long range RF technology, these dimmers avoid the need for connecting directly to a power supply, cutting down on cost and installation time. SlimDims are simple and quick to install.

- Mount anywhere: on a wall or in an outlet
- Fob controller detaches for mobile, hand-held control
- Dimming and on/off control for PrimaLine® white tape: pair with the Single Color Receiver (AL-70-01-0002)
- Dimmers and receivers are sold separately

Note: Metal boxes and other barriers between the receiver and remote may decrease signal.

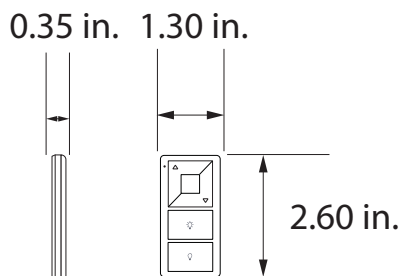
## TECHNICAL INFORMATION

Item #	Description
AL-70-01-0001	SlimDim Single Color Dimmer
AL-70-01-0002	Single Channel Receiver (sold separately)
AL-98-07-9950-FPLATE	Dimmer Wall Plate - White (sold separately)

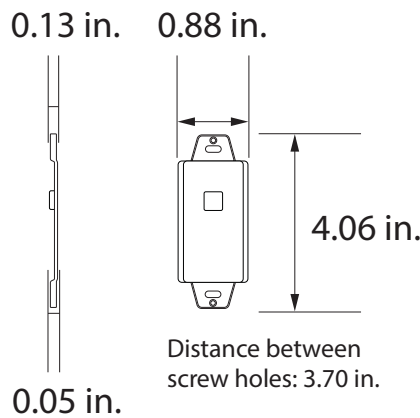
- Controller Dimensions: 2.6 x 1.3 x 0.35 in.
- Battery Type: CR2032
- RF Freq.: 868/915/434MHz
- Max. Receivers: 8
- 1 zone, 0 scenes
- Max. Range: 98 ft. unobstructed
- Mounting bracket is magnetic
- Batteries, remote, manual, screws and mounting bracket are included
- Wall plate not included

## DIMENSIONS

SlimDim

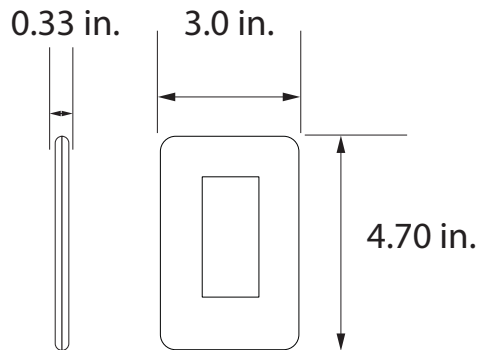


SlimDim Mounting Bracket

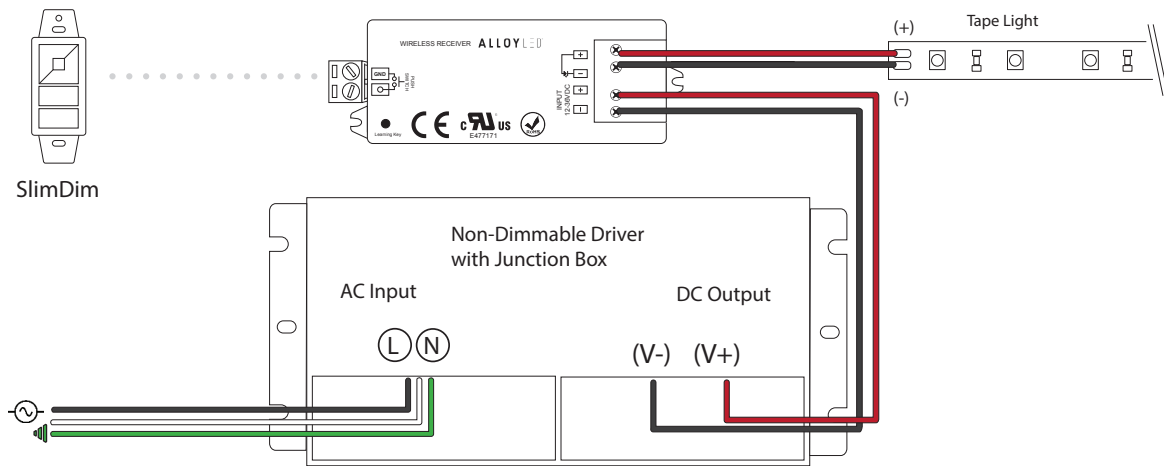


Dimmer Wall Plate

Note: Wall plate sold separately.



## WIRING DIAGRAM



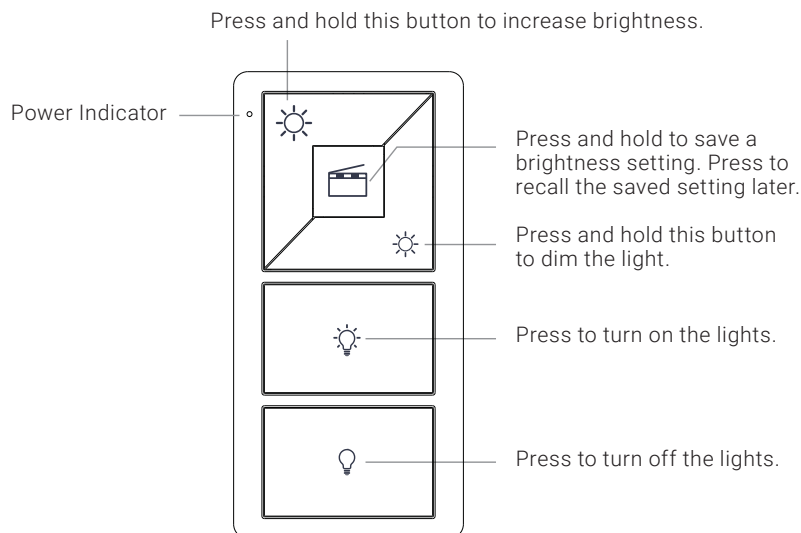
## OPERATION INSTRUCTIONS

### How to Pair the SlimDim Single Color Dimmer with the Single Channel Receiver (AL-70-01-0002)

1. Connect the receiver according to the diagram below.
2. Open the battery compartment and remove the plastic tab next to the battery.
3. Turn on the wireless dimmer. The power indicator will light up.
4. Short press the "Learning Key" button on the receiver for one second or less.
5. Touch the up or down buttons on the dimmer.
6. The remote control indicator light will blink to confirm pairing.

### How to Unpair the Receiver and Controller

1. Hold down the "Learning Key" button on the receiver for about 5 seconds. When the LED lights flash, the controller has been unpaired.



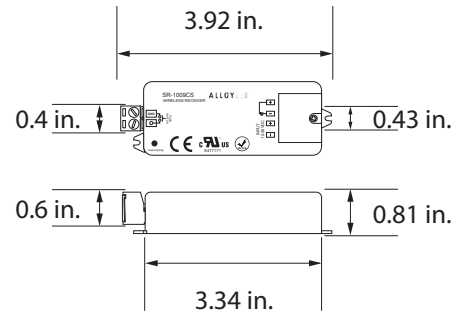
# ALLOY LED Specifications

## ACCESSORIES (SOLD SEPARATELY)

### Single Channel Wireless Receiver

Pair with the Remote Control Dimmer Switch or the SlimDim Wireless Dimmer to dim PrimaLine tape lights.

AL-70-01-0002 Single Channel Wireless Receiver



### Alloy LED PowerFactor™ Non-Dimmable Power Supplies w/ UL Listed Junction Box



Item #	Output Voltage	Wattage	Wet Location	Dimensions (junction box) (L x W x H)	Class 2
AL-98-12-24030	24V DC	30W	Y (IP66)	6.5 x 3.72 x 1.02 in.	Y
AL-98-12-24060	24V DC	60W	Y (IP66)	7.4 x 3.72 x 1.02 in.	Y
AL-98-12-24080	24V DC	80W	Y (IP66)	8.66 x 3.72 x 1.57 in.	Y
AL-98-12-24096	24V DC	96W	Y (IP66)	8.66 x 3.72 x 1.57 in.	Y
AL-98-12- 24192-MT	24V DC	192W (2*96W)	Y (IP66)	10.94 x 4.33 x 1.77 in.	Y
AL-98-12- 24288-MT	24V DC	288W (3*96W)	Y (IP66)	11.85 x 4.33 x 1.77 in.	Y

Note: Alloy LED strongly recommends using Listed Class 2 power supplies for all installations. Always install in accordance with local and national electrical code regulations.