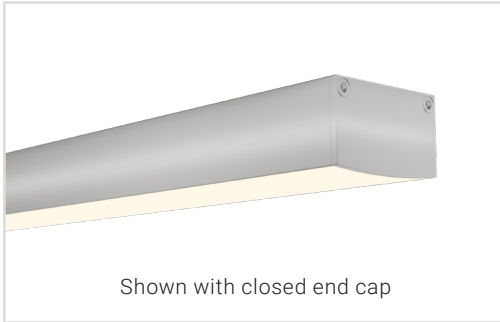


Surfa® 8 Surface-Mount Channel



Surfa 8 is a patented low-profile, surface-mount aluminum channel that accommodates nearly all widths of Alloy LED's tape lights. This high-quality lighting solution is UL-listed and engineered for both residential and commercial spaces, delivering superior quality and performance.

- Designed to deliver hotspot-free lighting when paired with nearly all of our tape lights
- Optimized size, from width to height, ensures compatibility with almost all of our tape lights, including RGBW and wet location

Key Specifications:

- Countersunk hex hardware for a clean look
- Low-profile
- Sold in complete kits (4 ft. and 7 ft.) to create a finished fixture in the field



PRODUCT INFORMATION

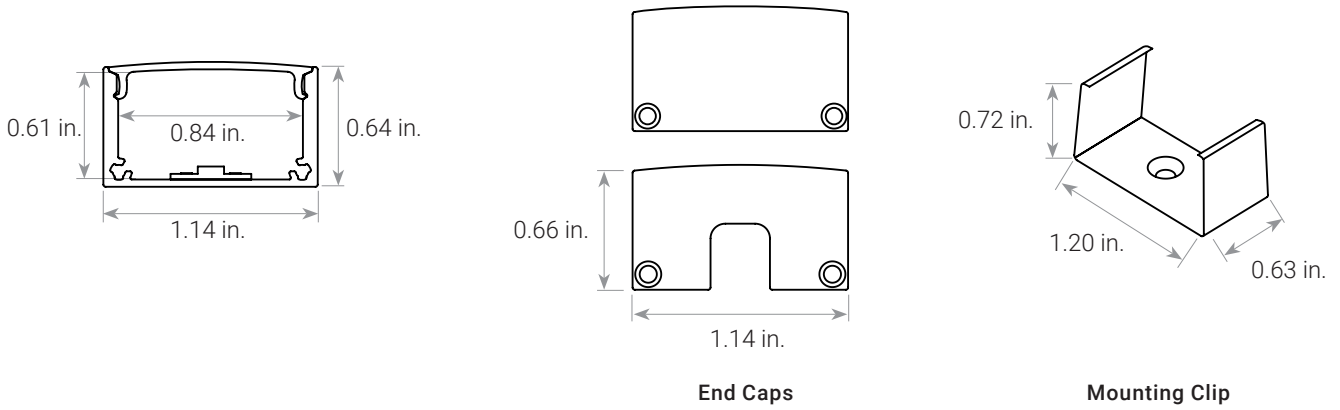
Item Number	Description
AL-50-32-0111-KIT	4 ft. kit includes 1 channel, 1 diffuser cover, 2 pairs of aluminum end caps with screws, allen key, and 5 metal mounting clips with screws
AL-50-32-0115-KIT	7 ft. kit includes 1 channel, 1 diffuser cover, 4 pairs of aluminum end caps with screws, allen key, and 10 metal mounting clips with screws
AL-50-32-9981-AL	Metal mounting clips with screws - 5-pack
AL-50-32-9956-AL	Aluminum end caps - 10 pairs: 5 open, 5 closed
AL-50-32-9951-AL	Aluminum end caps - 2 pairs: 2 open, 2 closed
AL-50-32-9902-FRT	4 ft. frosted diffuser cover
AL-50-32-9905-FRT	7 ft. frosted diffuser cover
AL-50-32-0011-AL-PART	4 ft. channel - aluminum finish
AL-50-32-0015-AL-PART	7 ft. channel - aluminum finish

*Add -10 or -20 to the end of the item number for discounted bundles.

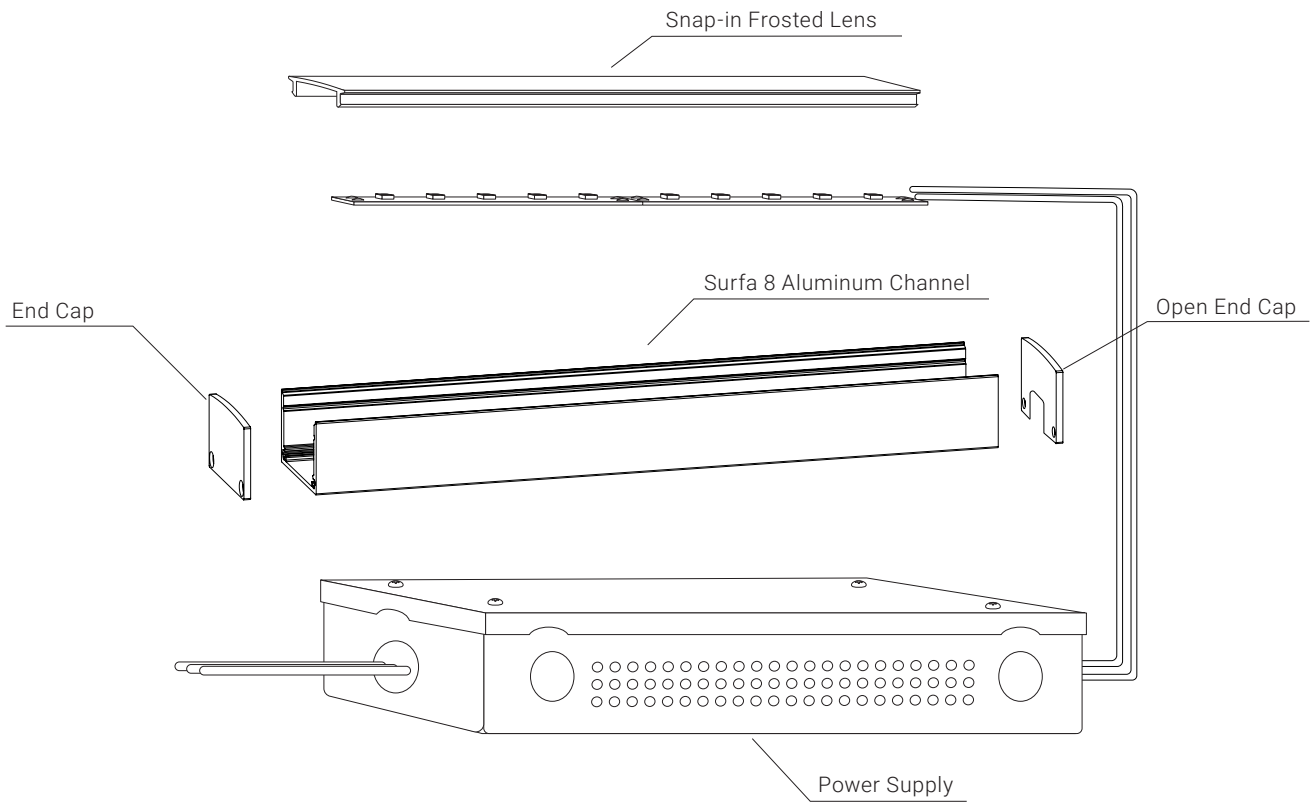
This channel is compatible with most of our tape lights, see page 3 for our channel and tape light compatibility and hotspot guide.

ALLOY LED® Specifications

DIMENSIONS



COMPLETE SOLUTION



SURFA 8 AND TAPE LIGHT HOTSPOT AND COMPATIBILITY GUIDE

Tape Light	Wire Connection	Amp/Champ	Hotspot
PrimaLine [®] 1.5	Y	Y	1
PrimaLine 1.5 XT	Y	Y	1
PrimaLine 2.7 LP	Y	Y	0
PrimaLine 3	Y	Y	0
PrimaLine 3 XT	Y	Y	0
PrimaLine 4.4 Gen 2	Y	Y	0
PrimaLine 4.4 XT Gen 2	Y	Y	0
PrimaLine 5.5 LP	Y	Y	0
PrimaLine 6.6 Gen 2	Y	Y	0
PrimaLine 7	Y	Y	0
PrimaLine 8 Gen 2			N/A
Varien [™] 1.2 XT Dim-to-Warm	Y	Y	0
Varien [™] 2.7 Dim-to-Warm	Y	Y	0
Varien [™] 5.5 Dim-to-Warm	Y	Y	0
Varien [™] 8 Dim-to-Warm	Y	Y	0
Radialux [®] 2.2 RGB	Y	Y	3
Radialux 4.4 RGB	Y	Y	1
Radialux 4.4 RGBW	Y	Y	2
Radialux 4.7 LP RGBW	Y	Y	0
Radialux 5.9 RGBW	Y	Y	1
Radialux 8.8 RGB	S	S	1
Radialux 8.8 RGBW	S	S	1
PrimaLine 1.5 Wet	Y	Y	1
PrimaLine 1.5 XT Wet	Y	Y	1
PrimaLine 3 Wet	Y	Y	1
PrimaLine 3 XT Wet	Y	Y	0
PrimaLine 4.4 XT Gen 2 Wet	Y	Y	0
Varien [™] 2.7 Wet Dim-to-Warm	Y	Y	0
Radialux 2.2 RGB Wet	Y	Y	3
Radialux 4.4 RGB Wet	Y	Y	1
Radialux 4.4 RGBW Wet	Y	Y	2
Radialux 5.9 RGBW Wet	Y	Y	1

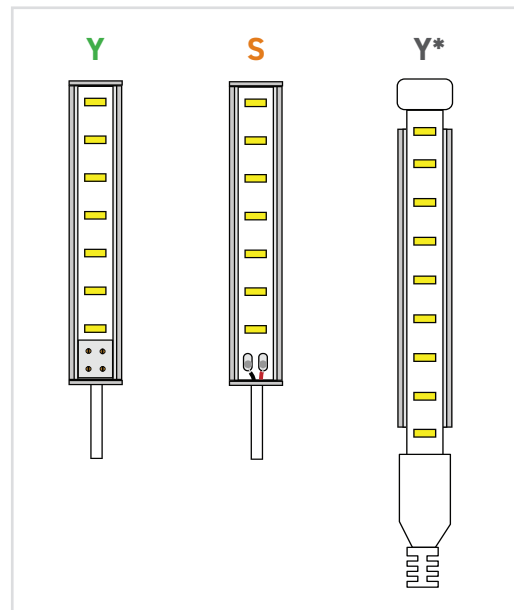
Chart Key

- Y** Tape, channel, and connector fit
- Y*** (Wet Tape Only) Tape light end caps do not fit
- S** (Dry Tape Only) Connector does not fit in channel / leads should be soldered
- Does not fit width and /or height

Hotspot Values



Compatibility Visual Key



ALLOY LED® Specifications

RECOMMENDED TAPE LIGHT (SOLD SEPARATELY)

Medium Output

PrimaLine 3 Wet Location LED Tape Light



12V DC		Maximum Run = 21 ft.		
16.4 ft. Spool	Color Temperature	Lumens / Foot	CRI	
AL-01-02-1261	● 2700K	185	97	
AL-01-02-1262	● 3000K	205	95	
AL-01-02-1263	○ 4200K	193	95	
AL-01-02-1264	● 5000K	264	95	

24V DC		Maximum Run = 21 ft.		
20 ft. Spool	Color Temperature	Lumens / Foot	CRI	
AL-01-02-2461	● 2700K	186	97	
AL-01-02-2462	● 3000K	221	95	
AL-01-02-2463	○ 4200K	247	94	
AL-01-02-2464	● 5000K	227	95	

High Output

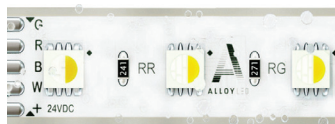
PrimaLine 4.4 XT Gen 2 Wet Location LED Tape Light



24V DC		Maximum Run = 40 ft.		Class 3 Limit = 21 ft.	
20 ft. Spool	40 ft. Spool	Color Temperature	Lumens / Foot	CRI	
AL-01-16-2471	AL-01-16-2481	● 2700K	313	98	
AL-01-16-2472	AL-01-16-2482	● 3000K	332	97	
AL-01-16-2473	AL-01-16-2483	○ 4200K	349	95	
AL-01-16-2474	AL-01-16-2484	● 5000K	364	95	
AL-01-16-2478	AL-01-16-2488	● 3500K	309	97	

Super High Output

Radialux 5.9 RGBW Wet Location LED Tape Light



24V DC		Maximum Run = 16.4 ft.	
Item Number	Spool Length	Watts / Foot	
AL-02-06-2461	16.4 ft.	5.85W	

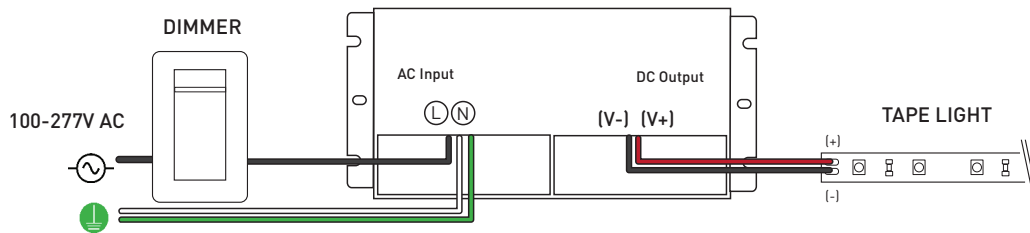
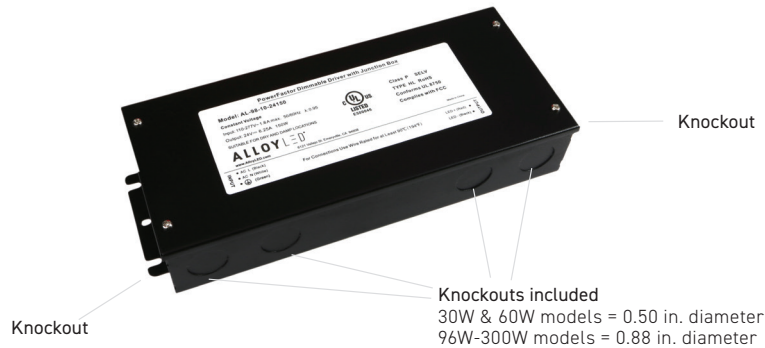
ALLOY LED[®] Specifications

RECOMMENDED POWER SUPPLIES (SOLD SEPARATELY)

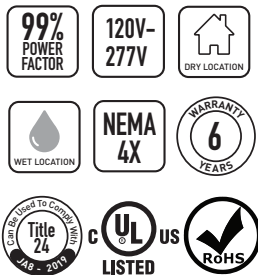


Alloy LED PowerFactor™ Dimmable Power Supplies with Integrated UL Listed Junction Box

Compact, highly efficient, and code-compliant power supply with versatile and smooth dimming capabilities.



Wiring diagram is for reference ONLY. Please refer to dimmer wiring specifications sheet for accurate directions.



Single Tap Models

Item Number	Output Voltage	Wattage	Wet Location	Minimum Load	Dimensions (L x W x H)	Class 2
AL-98-10-12030	12V DC	30W	Yes (NEMA 4X)	10%	6.50 x 3.72 x 1.02 in.	Yes
AL-98-10-12060	12V DC	60W	Yes (NEMA 4X)	10%	7.40 x 3.72 x 1.02 in.	Yes
AL-98-10-12120	12V DC	120W	Yes (NEMA 4X)	10%	8.66 x 3.72 x 1.57 in.	No
AL-98-10-24030	24V DC	30W	Yes (NEMA 4X)	10%	6.50 x 3.72 x 1.02 in.	Yes
AL-98-10-24060	24V DC	60W	Yes (NEMA 4X)	10%	7.40 x 3.72 x 1.02 in.	Yes
AL-98-10-24096	24V DC	96W	Yes (NEMA 4X)	10%	8.66 x 3.72 x 1.57 in.	Yes
AL-98-10-24150	24V DC	150W	Yes (NEMA 4X)	10%	10.24 x 4.13 x 1.77 in.	No
AL-98-10-24200	24V DC	200W	Yes (NEMA 4X)	10%	10.24 x 4.13 x 1.77 in.	No
AL-98-10-24300	24V DC	300W	Yes (NEMA 4X)	10%	10.94 x 4.33 x 1.77 in.	No

Class 2 Compliant Multi-Tap Models

Item Number	Output Voltage	Wattage	Wet Location	Minimum Load	Dimensions (L x W x H)	Class 2
AL-98-10-12300-MT	12V DC	300W	Yes (NEMA 4X)	10%	11.85 x 4.33 x 1.77 in.	Yes
AL-98-10-24192-MT	24V DC	192W	Yes (NEMA 4X)	10%	10.94 x 4.33 x 1.77 in.	Yes
AL-98-10-24288-MT	24V DC	288W	Yes (NEMA 4X)	10%	10.85 x 4.33 x 1.77 in.	Yes

Note: PowerFactor assumes 80% load.
Inspectors prefer power supply to be used with junction box.
For dimmer compatibility, refer to drivers specification sheet.

ALLOY LED[®] Specifications

RECOMMENDED POWER SUPPLIES (SOLD SEPARATELY)

Alloy LED's Silver Recommendation

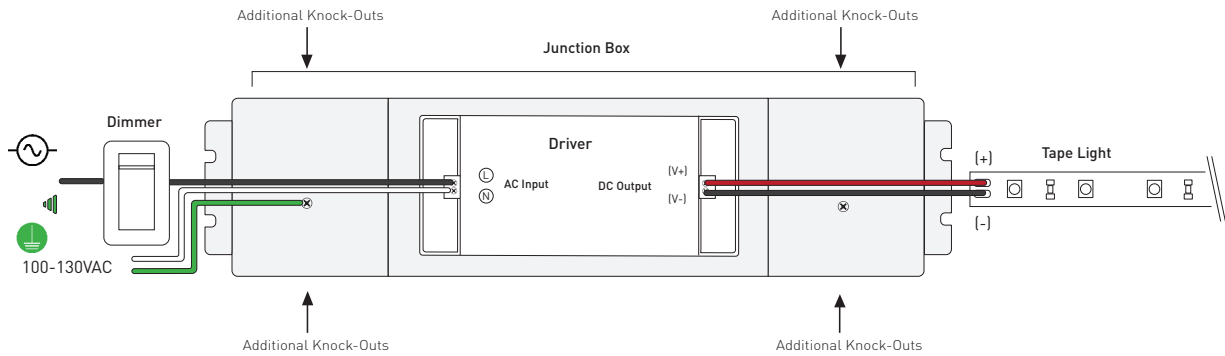
Alloy LED Primavolt[®] No Minimum Load Dimmable Power Supplies with ETL Listed Junction Box
Code-compliant power supply with versatile and smooth dimming capabilities. Compatible with ELV, MLV, and TRIAC dimmers.



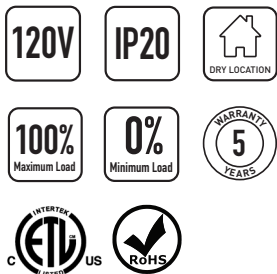
Dry Location Model
White model for 60W and lower



Wet Location Model
Black model for 80W and higher



Wiring diagram is for reference ONLY. Please refer to dimmer wiring specifications sheet for accurate directions.



Item Number	Output Voltage	Wattage	Minimum Load	Dimensions (Junction box) (L x W x H)	Class 2
AL-98-03-12024-NM	12V DC	24W	0%	13.75 x 3.0 x 1.50 in.	Yes
AL-98-03-12048-NM	12V DC	48W	0%	13.75 x 3.0 x 1.50 in.	Yes
AL-98-03-12060-NM	12V DC	60W	0%	13.75 x 3.0 x 2.25 in.	Yes
AL-98-03-12080-NM	12V DC	80W	0%	15.0 x 3.0 x 2.25 in.	No
AL-98-03-12120-NM	12V DC	120W	0%	15.0 x 3.0 x 2.25 in.	No
AL-98-03-24024-NM	24V DC	24W	0%	13.75 x 3.0 x 1.50 in.	Yes
AL-98-03-24048-NM	24V DC	48W	0%	13.75 x 3.0 x 1.50 in.	Yes
AL-98-03-24060-NM	24V DC	60W	0%	13.75 x 3.0 x 2.25 in.	Yes
AL-98-03-24080-NM	24V DC	80W	0%	15.0 x 3.0 x 2.25 in.	Yes
AL-98-03-24096-NM	24V DC	96W	0%	15.0 x 3.0 x 2.25 in.	Yes
AL-98-03-24150-NM	24V DC	150W	0%	16.25 x 3.50 x 2.25 in.	No
AL-98-03-24200-NM	24V DC	200W	0%	16.25 x 3.50 x 2.25 in.	No

Note: Alloy LED strongly recommends using Listed Class 2 power supplies for all installations. Always install in accordance with local and national electrical code regulations. Inspectors prefer power supply to be used with junction box. For dimmer compatibility, refer to drivers specification sheet.

ALLOY LED[®] Specifications

DIMMING ACCESSORIES (SOLD SEPARATELY)

Lutron[®] Dimming Accessories

By participating in Lutron's OEM Advantage program, Alloy LED is able to offer a range of the highest quality low voltage power supplies and selected controls on the market.



Hi-lume Premier
0.1% EcoSystem /
3-wire LED Driver
(96W 24VDC)



Hi-lume 1% LED Driver 40W
- EcoSystem / 3-wire control
- 2-wire 120V forward
phase control



Lutron Vive PowPak RF Module
- RF module for EcoSystem LED
driver control
- Use with the Lutron EcoSystem
drivers shown to "Vive-enable"
Alloy LED products

Lutron[®] Hi-lume LED Drivers

Item Number	Output	Wattage	Minimum Load	Class 2
AL-98-07-12040	12V DC	40W	N/A	Yes
AL-98-07-12040-3WIRE	12V DC	40W	N/A	Yes
AL-98-07-24040	24V DC	40W	N/A	Yes
AL-98-07-24040-3WIRE	24V DC	40W	N/A	Yes
AL-98-07-24096-3WIRE	24V DC	96W	N/A	Yes

Lutron[®] Controls

Item Number	Description	Voltage
AL-98-07-9901	EcoSystem Control Module	N/A
AL-98-07-9901-8	EcoSystem Control Module - 8 pack	N/A
AL-98-07-9950	CL Dimmer	120V AC
AL-98-07-9950-FPLATE	CL Dimmer faceplate	N/A

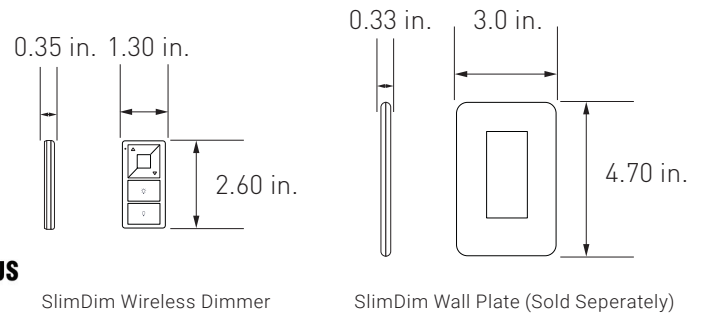
DIMMING ACCESSORIES (SOLD SEPARATELY)

Dimmers and Switches

SlimDim Wireless Dimmers

Using long-range RF technology, these LED dimmers connect wirelessly to a receiver, offering freedom to mount anywhere. Can also be used as a fob for mobile, hand-held control.

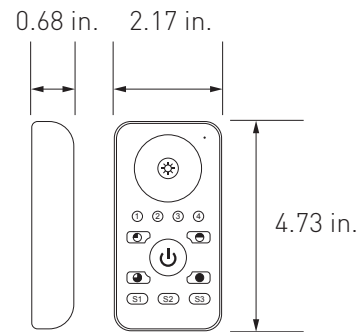
AL-70-01-0001	SlimDim Wireless Dimmer
AL-70-01-0002	Single Color Receiver (96W maximum) (Sold separately)
AL-98-07-9950-FPLATE	SlimDim Wall Plate (Sold separately)



Remote Control Dimmer Switch

Provides full dimming and on/off control, and includes a touch wheel that allows for direct visual selection of brightness. It can also operate up to four independent zones.

AL-60-03-0001	Remote Control Dimmer Switch
AL-70-01-0002	Single Channel Receiver (Sold separately)
AL-60-03-0004-V2	Wireless Receiver (RGB and RGBW) (Sold separately)

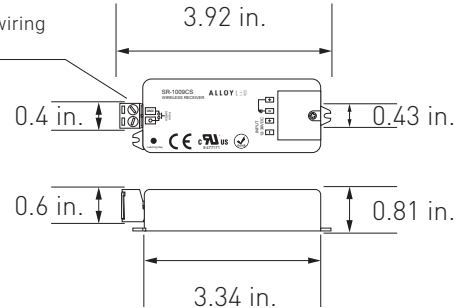


Single Channel Wireless Receiver

Pair with the Remote Control Dimmer Switch or the SlimDim Wireless Dimmer to dim PrimaLine tape lights. Use one remote to make independent lighting zones with multiple receivers with certain controllers.

AL-70-01-0002	Single Channel Wireless Receiver
---------------	----------------------------------

Terminal for hardwiring on/off switch



WIRING DIAGRAM

